



Ford CV Conversions Catalogue Edition 2

Please download for optimal viewing experience.

The Commercial Vehicle Conversions Catalogue has been developed so that you can confidently guide customers through the broad scale of conversions and Special Vehicle Options (SVOs) available.

By listening and responding to customer feedback, Ford's SVO division has produced a collection of enhancements, refinements and modifications that enable customers to match their vehicle to their working conditions and requirements.

Many customers take their vehicles to after-market companies to customise their vehicles to their needs. If we can meet more of their needs with options provided directly by Ford, we can simplify this process and reduce the time between placing an order and having a vehicle ready to use.

The provision of these options ensures that Ford's Commercial Vehicle range remains the best platform to meet the complex and varied needs of a wide range of industries. Our mission to understand and meet our customers' needs ensures we can provide the best support to customers for this purchase and future purchases, building a long-term relationship.

For further details on any of the SVOs in this catalogue please refer to the **Body and Equipment Mounting Manual (BEMM)**. To receive access to the BEMM, please contact BEMM2@ford.com

If you don't find what you are looking for please contact your key Ford representative as development may be underway.

HOW TO NAVIGATE?

Please download for optimal viewing experience



The arrow button on the bottom right of each page moves you forwards or backwards one page



The Menu button at the top left of the page will take you back to the beginning of the document



Transit

The vehicle icons under each SVO description will link you to that specific donor vehicle

The navigation bar at the top of the page shows all the chapters of this catalogue, allowing you to navigate by Donor Vehicle or SVO Option type

The Appendix provides all supporting information

Click through to next page to begin

DONOR VEHICLES

Select a vehicle to view its SVO options

- Panel Van
- Double Cab in Van (DCiV)
- Minibus
- **All-new** E-Transit

- Single Chassis Cab
- Double Chassis Cab
- Skeletal Chassis

- Panel Van
- Double Cab in Van (DCiV)
- Kombi

- Tourneo

- Panel Van
- Double Cab in Van (DCiV)

- Tourneo

- Panel Van
- Kombi

- Fiesta Van

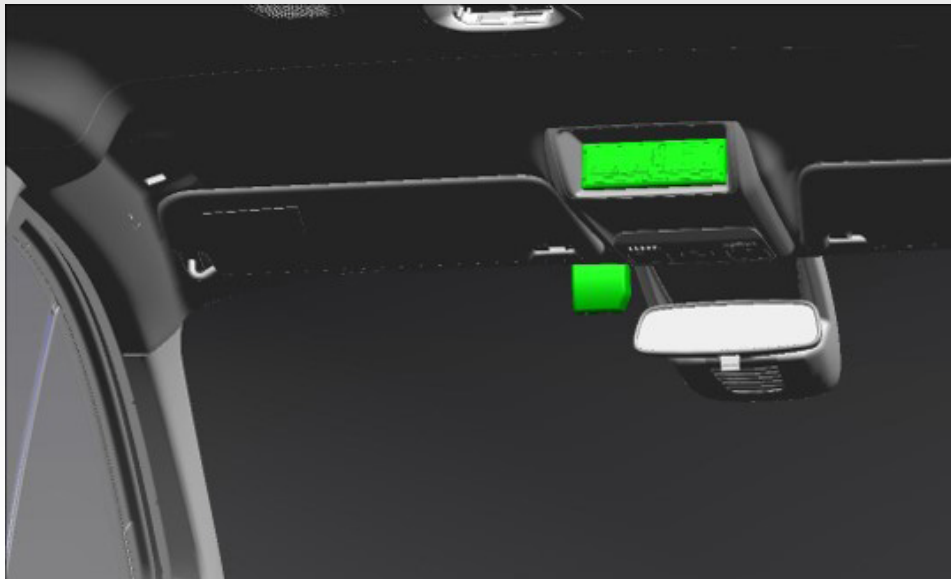




ELECTRICAL & POWER SUPPLY EQUIPMENT

- Smart Tachograph 4.0
- Transit Chassis Side Lamp Pack
- Single H8 AGM Battery
- Twin H7/H8 AGM Batteries
- Auxiliary Fuse Relay Panel
- Operator Command DPF Regeneration
- Beacon Prep Pack (Wiring)
- High Power Supply System
- Ford Programmable Battery Guard
- Towing Electrics
- Utility Vehicle Switch Pack
- Enhanced Touchscreen Control
- Configurable Locking/Unlocking
- Engine RPM Controller
- Programmable 'CAN' Interface Module
- Auxiliary Fuel Port
- Enhanced Electronic Interface Pack

SMART TACHOGRAPH 4.0



Vehicles exceeding 3.5 tonnes gross train mass (GTM), or carrying more than nine people including the driver (Public Service Vehicles – PSVs) and registered after June 2019 are obliged to install a Smart Tachograph.

Legislation affecting professional drivers is constantly evolving, and the Smart Tachograph 4.0 provides compliance with the latest requirements specified in the update to EU Regulation N° 165/2014 [Publication of the Annex 1C EU 2016/799].

The Tachograph is a device that records the driving time, breaks, rest periods and is used for any commercial or for-hire purpose enterprise. Legislation affects any drivers providing service transporting people or goods in return for payment.

Note: This feature is only available with Manual Transmission for Transit Custom.

Market Availability: All markets

SVO Order Code: A100*

Minor Feature Code: HDKAD

Available on: Transit, Transit Chassis Cab, Transit Skeletal, Transit Custom, Tourneo Custom, E-Transit



Transit



Transit Custom



Tourneo Custom



Transit Chassis



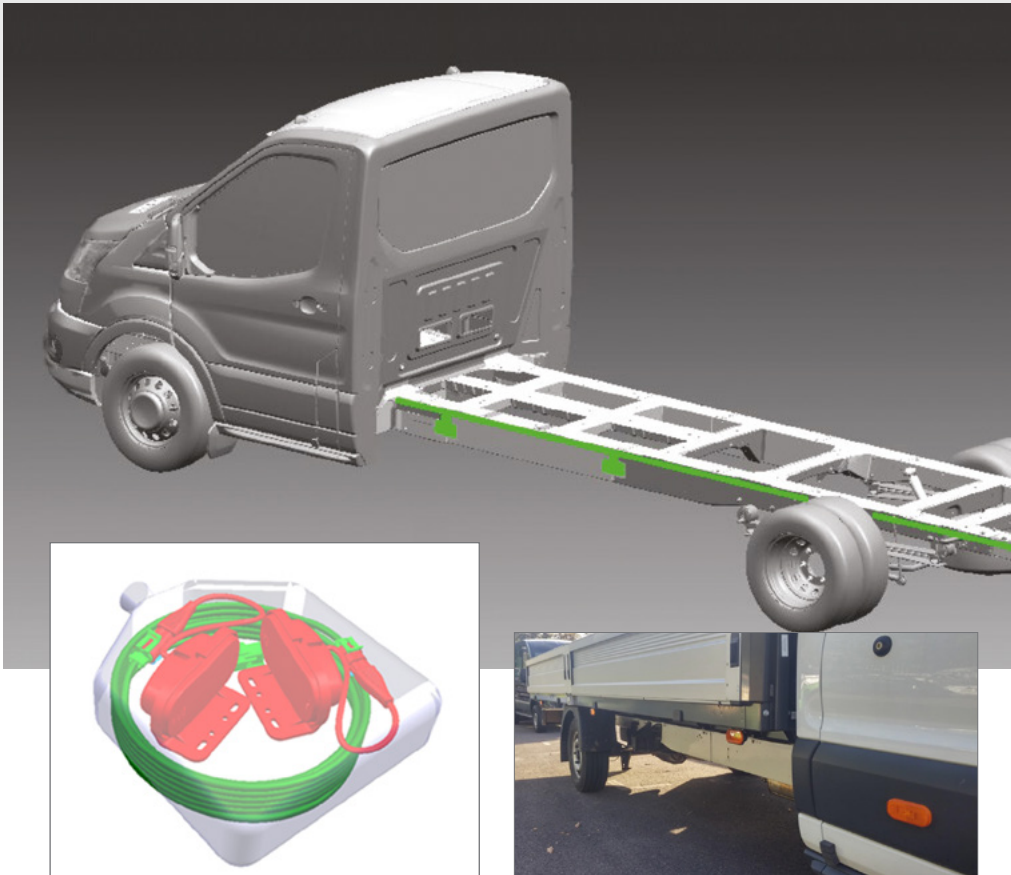
Transit Skeletal Chassis



E-Transit

*Available as an RPO on Transit Van

TRANSIT CHASSIS SIDE LAMP PACK



With a large distance between headlights and taillights, longer vehicles can benefit from some additional lighting to increase visibility. In some cases, dependent on the length of the vehicle and the conversion type, the Transit Chassis Side Lamp Pack may be a legal requirement.

This SVO has been developed for Transit Chassis and includes multiple LED lamps with connectors and brackets that can be added to the side of the Transit Chassis to improve visibility. The wiring and lamps are delivered in a kit, there is wiring and two lamps per kit. Kits will be supplied as per the spec of the vehicle.

Medium wheelbase	2 kits provided
Long or extended wheelbase	2 kits provided
Extra long wheelbase	3 kits provided

The pack is a convenient electric plug-and-play pack, meaning the lamps can be used as soon as they are connected.

Connections may already be installed within the vehicle. If not, they are readily available at customer request.

Note: Refer to the BEMM for further details.

Market Availability: All markets

SVO Order Code: A560

Minor Feature Code: JDCAH

Available on: Transit Chassis with Double Cab-N1, Single Cab (Regular Cab), E-Transit

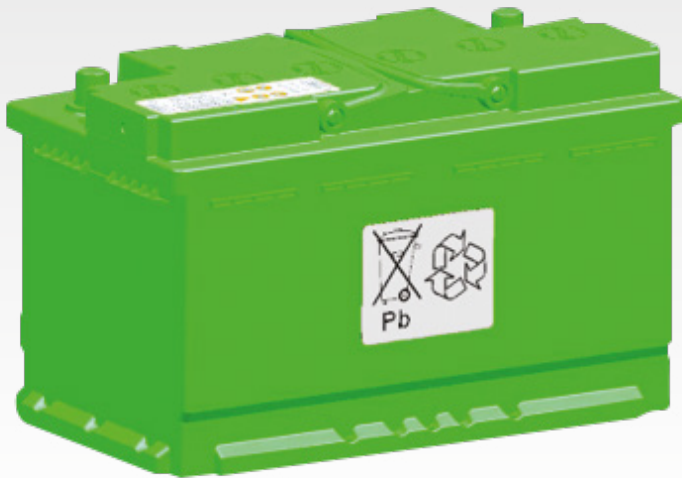


Transit Chassis



E-Transit

SINGLE H8 AGM BATTERY



This option is a 95AH H8 AGM Deep Cycle Battery which is located in the driver's seat pedestal.

Modern batteries can degrade and start to fade when subjected to a cycle of heavy discharge and recharge, holding less charge with each cycle. These batteries are more resistant to deep cycling and constant current draining than conventional batteries.

Absorbent Glass Matt (AGM) technology allows batteries to power auxiliary equipment which requires a constant current drain, or a short-term high-load drain, and resists fading over time.

Suitable for vehicles requiring engine-off power requirements higher than your standard battery. For example, conversions requiring telematics / trackers.

Not available with:

- Power Equipment Groups (Transit only)
- Heavy Duty Starter Motor (Transit only)
- Power Point Plug Converters (Transit only)
- Outboard Level Parking Brake (Transit only)
- Fuel Fired Heaters
- Rear Compartment Heating
- Smart Tachograph
- Rear Air Conditioner
- Enhanced Electronic Interface Pack
- Roof Mounted Turn Signals

Note: Refer to the BEMM for further details. H8 Twin AGM Deep Cycle Battery is available as an RPO option

Market Availability: Britain, Ireland, Belgium, Germany, Spain, France, Italy, Netherlands, Portugal, Greece, Hungary, Poland, Romania, Czech Republic and EDM

SVO Order Code: A739

Minor Feature Code: HTCAH

Available on: Transit with Stripped Chassis, Single Cab (Regular Cab), Regular Cargo Van, Double Cab-N1, Kombi-N1, Double Cab In Van, Kombi-M1, Kombi-Van M1, E-Transit



Transit



Transit Custom



Transit Chassis

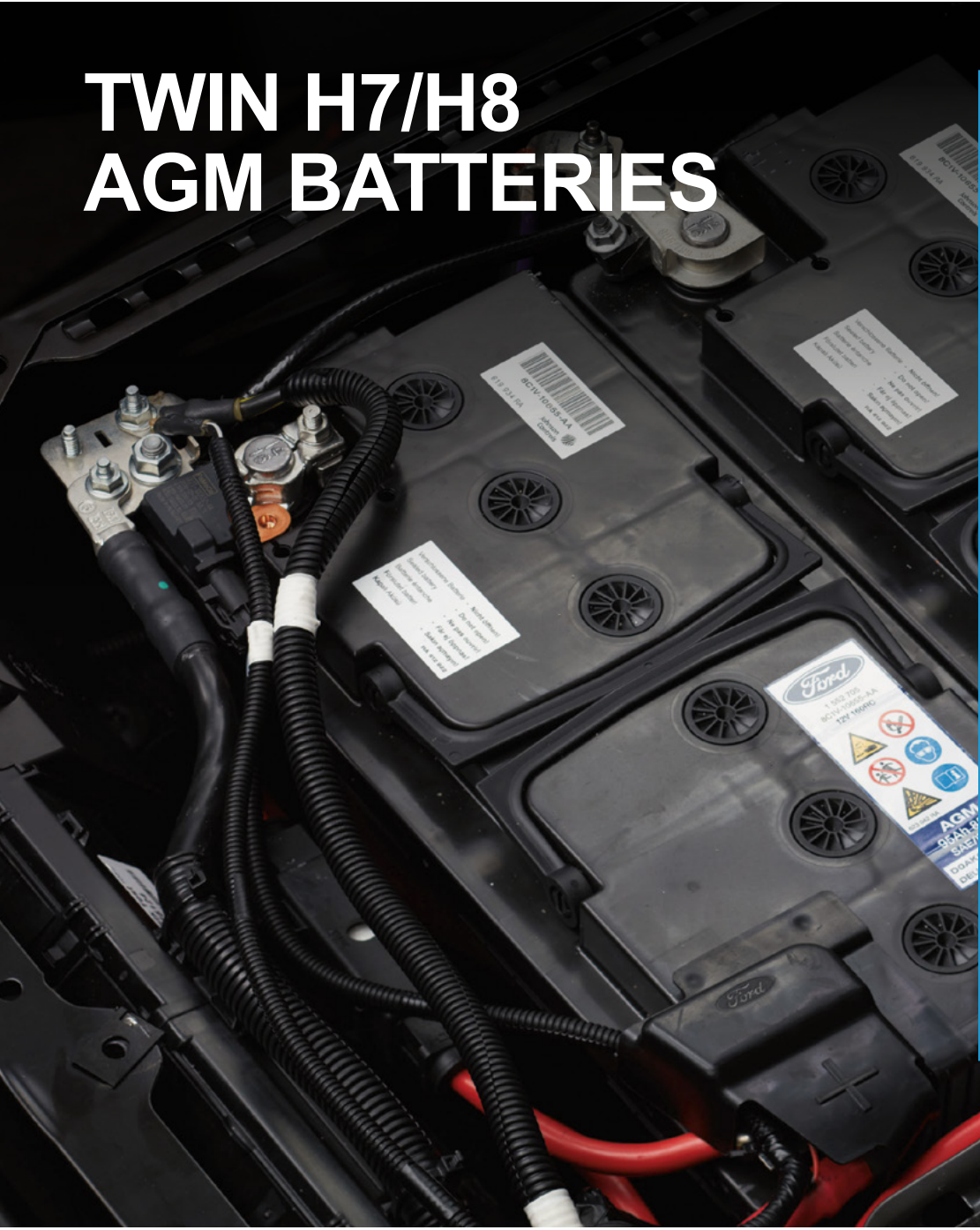


Transit Skeletal Chassis



E-Transit

TWIN H7/H8 AGM BATTERIES



The AGM (Absorbent Glass Matt) technology allows the Twin H7/H8 AGM batteries to power auxiliary equipment which requires a constant power supply when the vehicle is not driving, or a short-term high-load drain particularly when the vehicle is idling or engine-off.

Twin H7/H8 AGM Batteries would be selected when extensive power is required and a reduction in payload is acceptable (approx. 20kg for Transit Custom and 30kg for Transit) to allow for the increased battery weight.

Includes:

- 2 x 80Ah H7 AGM (for Transit Custom)
- 2 x 95Ah H8 AGM technology Deep Cycle Batteries under the driver's seat pedestal (for Transit)

Not available with:

- Outboard Lever Parking Brake (Transit Only)

Included in various One-Stop Shop, packs and SVOs including:

- Luton Van Pack 2 - H7
- 1-Way Tipper - H7
- 1-Way Tipper with Tool Pod - H7
- 3-Way Tipper with Tool Pod - H7
- Ambulance Donor Pack 2 SVO - H8
- Refrigeration Unit for LWB Van

Note: Refer to the BEMM for details.

Market Availability: All markets

SVO Order Code: N/A (RPO only)

Minor Feature Codes:

Twin H7 AGM Batteries (HTCAF) only available with Transit Custom/Tourneo Custom
 Twin H8 AGM Batteries (HTCAG) only available on Transit with Stripped Chassis, Single Cab (Regular Cab), Regular Cargo Van, Double Cab-N1, Kombi-N1, Double Cab in Van, Kombi-M1 and Kombi Van M1

Available on:



Transit



Transit Custom



Tourneo Custom

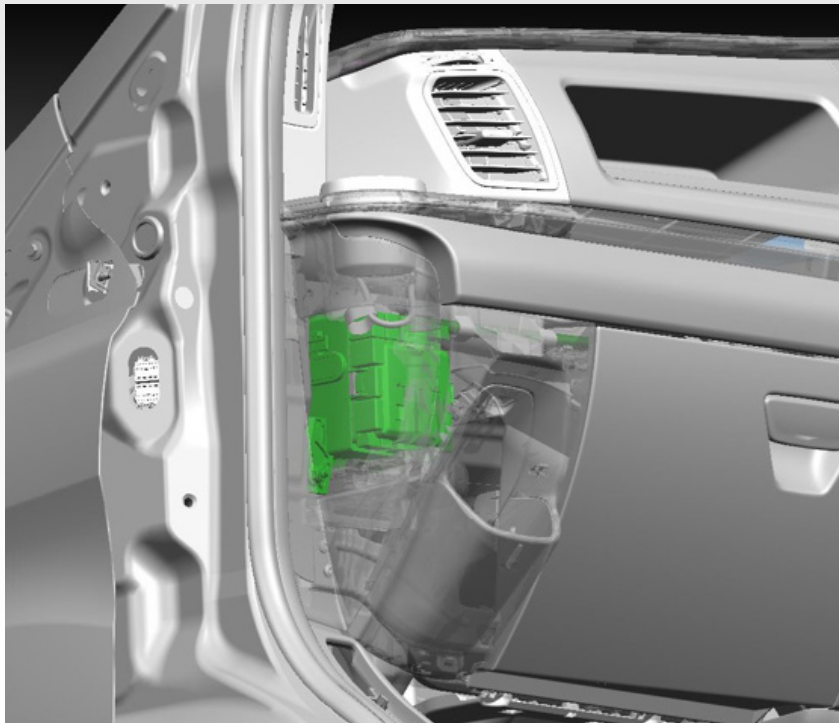


Transit Chassis



Transit Skeletal Chassis

AUXILIARY FUSE RELAY PANEL



Customised vehicles will frequently have new systems fitted that require their own separate, protected power supply. The Auxiliary Fuse Relay Panel provides a properly fused outlet to connect additional systems as part of conversion to the correct power supply e.g. lighting and beacons.

- The Auxiliary Fuse Relay Panel is located behind the glove box and slightly outboard behind the removable cup holder
- The main power is supplied by a 150A fuse in the high-current fuse panel, standard battery guard protected and located in the driver's seat pedestal

Note: Compatible with Ford Programmable Battery guard (A540, A550)

Note: The Auxiliary Fuse Relay Panel cannot be retro fitted so must be ordered for factory fitment.

Not available on: Campers

Market Availability: All markets

SVO Order Code: A526

Minor Feature Code: JZGAB

Available on: Transit, Transit Chassis Cab, Transit Skeletal, Transit Custom, Tourneo Custom, E-Transit



Transit



Transit Custom



Tourneo Custom



Transit Chassis



Transit Skeletal Chassis



E-Transit

OPERATOR COMMAND DPF REGENERATION



The Diesel Particulate Filter (DPF) helps remove particulate matter from diesel exhausts. It is designed to clean itself (or regenerate) periodically to maintain optimal efficiency.

The system is designed to clean diesel exhausts automatically when the engine reaches full operating temperature for a sustained period of time.

It is recommended that diesel vehicles used mainly for short journeys or prolonged idling specify this option, allowing the driver to manually trigger DPF regeneration whilst the vehicle is stationary with the engine running – the process takes between 10 and 20 minutes. The cluster display reports when a regeneration cycle is required.

Market Availability: All markets

SVO Order Code: A660

Minor Feature Code: A6YAB

Available on: Transit, Transit Chassis, Transit Skeletal, Transit Custom, Tourneo Custom



Transit



Transit Custom



Tourneo Custom



Transit Chassis



Transit Skeletal Chassis

BEACON PREP PACK (WIRING)



The pack consists of an internal Beacon switch, and wiring for Beacons at the front and rear of the vehicle.

Roof Beacons are not included in the pack as each customer will have different requirements. The roof will not come drilled and individual Beacons must be purchased and installed by a converter – full guidance is provided in the BEMM.

Includes:

- Auxiliary Fuse Relay Panel
- Overhead/Roof Console (except Tourneo Custom)
- Single beacon switch and four blank switches

Not Available with:

- Smart Tachograph
- Power Equipment Groups (Transit Only)
- Rear Seat Climate Control (Tourneo Custom / Transit Custom KOMBI-M1 & KOMBI-Van M1)
- Utility Switch Pack

Market Availability: All markets

SVO Order Code: A606

Minor Feature Code: JZFAC

Available on: Transit, Transit Chassis Cab, Transit Custom, Tourneo Custom, E-Transit



Transit



Transit Custom



Tourneo Custom



Transit Chassis



E-Transit

HIGH POWER SUPPLY SYSTEM



This system is a combination of power supply options which are ideal for refrigeration, emergency service and maintenance vehicles.

The system meets heavy electrical power take-up requirements.

Includes:

- Twin AGM Batteries
- Engine RPM Control*
- Ford Programmable Battery Guard*

*Ford Programmable Battery Guard controls Engine RPM control mode 1 and requires fitting by a converter.

Note: Not available on Campers or PHEV vehicles

Market Availability: All markets

SVO Order Code: A550

Minor Feature Code: JZXAC

Available on: Transit (except Bus), Transit Chassis Cab and Transit Skeletal Chassis, Transit Custom, Tourneo Custom



Transit



Transit Chassis



Transit Skeletal Chassis

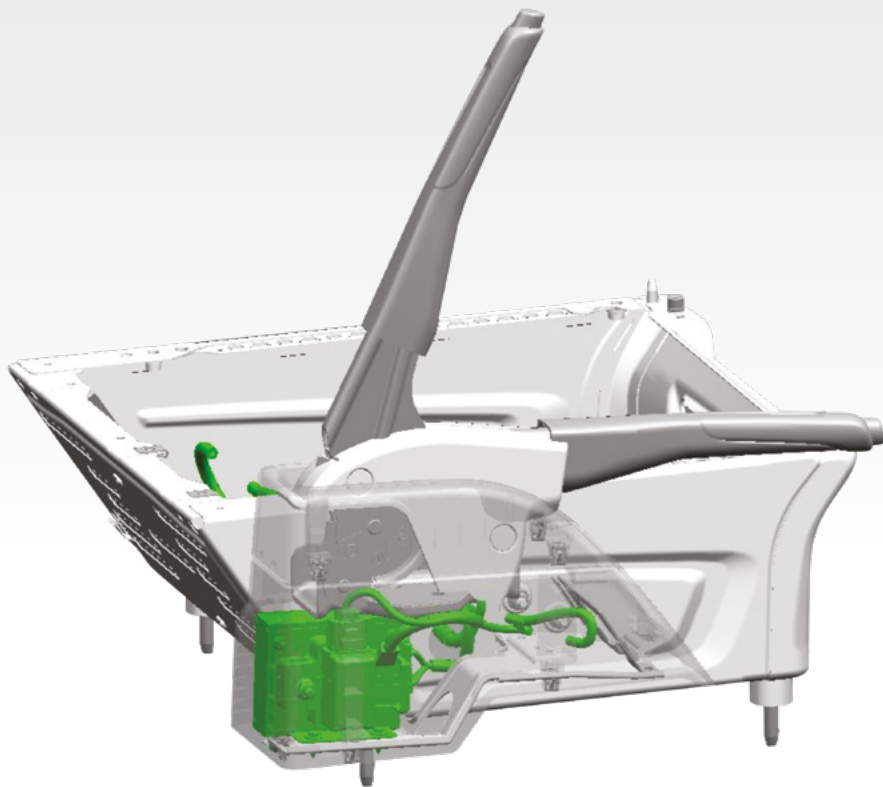


Transit Custom



Tourneo Custom

FORD PROGRAMMABLE BATTERY GUARD



This is a patented system unique to Ford, designed to lower the risk of Commercial Vehicle electrical issues such as non-starting and battery failure. Available as a standalone option or as part of the Converter High Power Supply System.

The Guard works by disconnecting electrical features if the battery drops below a pre-set level. When the battery has recharged to its operating level the Battery Guard can be programmed to switch the electrical features back on.

Features and benefits:

- Interior light shuts off after 30 minutes to aid battery conservation
- Provides vehicle electrical charge protection
- Charges third-party systems and batteries at engine run
- Third-party ancillaries are cut off if voltage drops to a certain level

- Battery can be set to power down at a certain time after engine-off
- Mains charger warning
- Full alternator power on demand
- 30-second isolation warning

Not Available with:

- Outboard Lever Parking Brake (Transit Only)

Market Availability: All markets

SVO Order Code: A540

Minor Feature Code: JZAAC

Note: Not available in combination with outboard park brake A320 (Seat Pack 16), A317 (Seat Pack 17) & A318 (Seat 18) or power inverter pack

Available on: Transit (Except Bus), Transit Custom, Tourneo Custom, Transit Chassis Cab, Transit Skeletal



Transit



Transit Custom



Tourneo Custom



Transit Chassis



Transit Skeletal Chassis

TOWING ELECTRICS



This option includes Towing Electrics (connector and wiring) without the physical Tow-Bar. This option was created to meet the needs of particular fleet customers that fit their own special tow-bar but require the electrics. Includes 13-pin socket mounting bracket. This option ensures that the electrical connection between the vehicle and trailer is correct.

Not available on: PHEV vehicles

Note: RPO on Skeletal Chassis

Market Availability: All markets

SVO Order Code: A055

Minor Feature Code: C1DAD

Available on: Transit, Transit Chassis Cab, Transit Skeletal Chassis, Transit Custom, Tourneo Custom



Transit



Transit Custom



Tourneo Custom

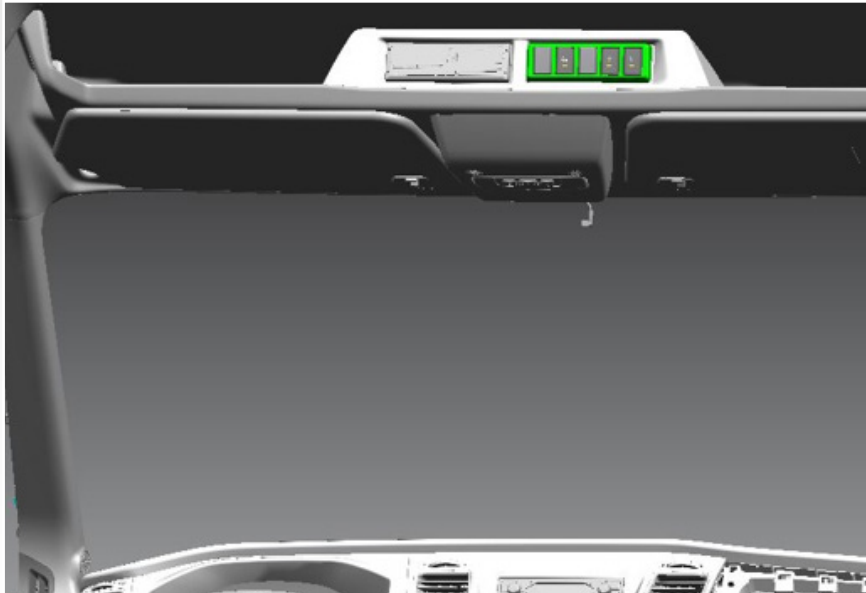


Transit Chassis



Transit Skeletal Chassis

UTILITY VEHICLE SWITCH PACK



Provides additional switches for auxiliary features installed by converters. The auxiliary switches are positioned in the Mini Overhead Console (single DIN) and can be used for powering various items, e.g. work lamps and water heaters, providing power to the rear area of the vehicle. Ancillary devices connected through the Utility Vehicle Switch Pack are battery guard protected.

Note: Beacon Prep Pack (A606) is automatically specified and included in the price

Includes:

- 3 x switches
- 1 x Beacon switch
- 2 x 12V auxiliary switches
- Auxiliary Fuse Relay Panel

Note: Not to be ordered with Smart Tachograph 4.0 or Overload Protection System (on Transit Custom) as utilises the same 1 DIN console. This option is available in combination with Enhanced Electronic Interface Pack A608.

Market Availability: All markets

SVO Order Code: A626

Minor Feature Code: JZFAF

Available on: Transit with Regular Cargo Van, Kombi N1, Double Cab in Van, Kombi M1 and Kombi Van M1, Transit Custom (with all bodystyles except bus), E-Transit



Transit



Transit Custom



E-Transit

ENHANCED TOUCHSCREEN CONTROL



The Enhanced Touchscreen Control utilises a 7" touchscreen display with 3x camera inputs, 4x5A, 2X20A & 2x40A configurable outputs. The system can control third party equipment and configure timers for auto switch on and off equipment (for example, heaters, lights etc). There are 8x configurable digital inputs, these can be used to monitor third party equipment or control a device's state (for example switch a heater on). The system is compatible with Ford Programmable Battery Guard. Wifi & Bluetooth connectivity to mobile application (IOS & Android compatible) enables remote control of touchscreen features and configurable system updates.

Features and benefits:

- 7" display (8 configurable buttons & 3 Camera inputs)
- Replaces rear view mirror
- Enhanced Utility Switch Pack (Roof Flasher Wiring #3)
- Upgrade from roof flasher wiring #1 & 2 (JZFA*)
- Contains Auxiliary Fuse Relay Panel
- Application is IOS & Android compatible
- Auto Ford Programmable Battery Guard A540/A550 detection and control if ordered
- Large library of icon selection to identify third-party peripherals
- During conversion owner's equipment / hardware (e.g. cameras) can be added

Includes:

- Eight inputs
- Eight outputs
- Three video inputs

*When ordered in conjunction with A540/A550

Note: Available from September 2021

Market Availability: All markets except Denmark, Finland, Norway & Sweden

SVO Order Code: A636

Minor Feature Code: JZFAG

Available on: Transit with Van, Double Cab in Van and Kombi M1



Transit



Transit Custom



E-Transit

CONFIGURABLE LOCKING / UNLOCKING



Configurable Locking / Unlocking enables you to open one individual door without automatically unlocking the others.

The other doors stay securely locked until you activate a switch on the driver's door.

Features and benefits:

- All doors automatically lock once the vehicle speed exceeds 5 mph
- The doors remain locked even if the vehicle slows or stops
- The driver or passenger locks can be released using the interior door handles (can be deactivated if required)

Note: Refer to the Transit BEMM for detailed information on lock configurations.

Market Availability: : All markets

Minor Feature Code: Subject to choice of configuration (see below)

- **Configuration 1:** CB4AB (Standard Cargo Vehicle Unlocking)
- **Configuration 2:** CB4AC (Standard Passenger Vehicle Unlocking)
- **Configuration 3:** CB4AD (Independent Drivers Door Unlocking)
- **Configuration 4:** CB4AH (Courier Unlocking)

Available on: Transit, Transit Chassis Cab and Transit Custom



Transit



Transit Custom



Transit Chassis



ENGINE RPM CONTROLLER



Engine RPM Controller enables the engine to be run at an elevated idle speed. This option is used for electrical and mechanical power take-off to drive supplementary equipment.

Offers 3 modes of operation:

- **Mode 1: 3-speed (defaults: 1100RPM, 1600RPM, 2030RPM)**, this is configurable
- **Mode 2:** variable speed
- **Mode 3:** idle up-speed

Types of conversions that would benefit from this option include refrigeration and utility conversions.

This feature requires a third party control box. It can also be controlled by the Ford Programmable Battery Guard (A540) when ordered in combination or if it has been ordered via the High Power Supply System (A550). The details of either solution can be found in the BEMM.

Not available on: PHEV vehicles

Market Availability: All markets

SVO Order Code: A003

Minor Feature Code: DCNAB

Available on: Transit, Transit Chassis Cab, Transit Skeletal, Transit Custom, Tourneo Custom



Transit



Transit Custom



Tourneo Custom

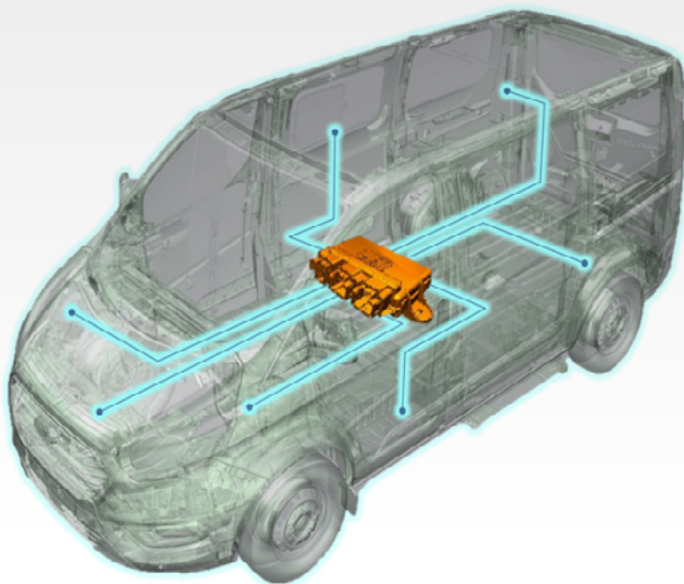


Transit Chassis



Transit Skeletal Chassis

PROGRAMMABLE 'CAN' INTERFACE MODULE



The Programmable 'CAN' (Controller Area Network) Interface Module allows converters to connect with and control external equipment through Ford hardware.

This is an RPO (Regular Production Order) i.e. a standard vehicle option. It is a very useful product for vehicle operators who have ancillary equipment which (for practical or safety reasons) must be disabled if the vehicle is in motion.

Features and benefits:

- **Crane conversions:** The module can control when a crane can be operated, disabling the machinery once work has stopped for the day
- **Beacons:** The module can programme beacons to power off or on automatically when the vehicle begins to move
- **Wheelchair Accessible Vehicles:** The wheelchair ramp can be programmed so that it only functions when the vehicle has come to a complete stop
- **Tipper:** The module can control the tip angle
- **Dash Cameras:** The module can automatically enable the device
- **Locking and unlocking:** The module can enable locking and unlocking of the vehicle

For further details on any of the SVOs in this catalogue please refer to the **Body and Equipment Mounting Manual (BEMM)**

Market Availability: All markets

SVO Order Code: N/A (RPO only)

Minor Feature Code: JRSAB

Available on: Transit, Transit Custom, Tourneo Custom, Transit Chassis, Transit Skeletal



Transit



Transit Custom



Tourneo Custom



Transit Chassis



Transit Skeletal Chassis

AUXILIARY FUEL PORT



The Auxiliary Fuel Port provides a fuel line and connector for easier attachment to auxiliary equipment such as aftermarket heaters. It is fitted with a TI LOCC QC 7.89 female connector as standard; however it is recommended that a 7.89 male adapter mating part is purchased to work alongside (manufacturer: TI Automotive GmbH).

Market Availability: All markets (except Denmark, Norway, Finland, Sweden, EDM for Transit Custom and Tourneo Custom)

SVO Order Code: N/A

Minor Feature Code: GB2AB (RPO only)

Available on: Transit with Regular Van, Single Cab, Transit Custom with all except Double Cab, Tourneo Custom



Transit



Transit Custom



Tourneo Custom



Transit Chassis

ENHANCED ELECTRONIC INTERFACE PACK



The Enhanced Electronic Interface Pack provides comprehensive connectivity to various electrical vehicle signals. The connector is located in the Instrument Panel behind the glove box.

Recommended for: police vehicles, ambulances, utility vehicles

Includes:

- 43-way connector
- 'CAN' interface loop wire
- **Specialised power signals:**
 - Exterior / interior lighting
 - Load shed / battery guard
 - Lock / unlock
 - AC active
 - Door ajar
 - Horn
 - Handbrake
 - Engine state
 - Runlock
 - Auxiliary Fuse Relay Panel

Not available with: Programmable 'Can' Interface Module

Not available on: Campers

Compatible with: A606 and A626 switch packs.

Market Availability: All markets

SVO Order Code: A608

Minor Feature Code: JZDAE

Available on: Transit, Transit Chassis Cab, Transit Skeletal Chassis, Transit Custom and E-Transit



Transit



Transit Custom



E-Transit



Transit Chassis



Transit Skeletal Chassis



EXTERIOR

- Magnetic Fold Back Doors
- Specialist Direct Access Tyre Carrier
- Special Paint Options
- Transit Skeletal Chassis Reverse Gear Buzzer **(New)**
- Electronic High Visibility Panels
- Skeletal Cutaway **(New)**
- Transit Skeletal Chassis Rear Lights Pack
- Enhanced Security Lock
- Slam Handle Security Pack TVL **(New)**
- Hook Lock Security Pack TVL **(New)**
- Armourshell Security Pack TVL **(New)**
- Chassis Cab Rear Camera **(New)**
- Skeletal Chassis Black Alloy Wheels **(New)**
- Rear Tail Lift Prep Pack **(New)**

MAGNETIC FOLD BACK DOORS



This option minimises total vehicle width when rear doors are open for superior access to load bays. With magnetic door retentions, the doors are held against the exterior of the vehicle when fully open. Available on Transit L2*,L3, L4.

Note: This option includes as standard, Kerbside Load Door (A4LAB) with the optional pack content of Dual Side Load Doors (A4LAC).

*On the L2 variant the side load door is fitted with a rubber bump stop as it can clash with opened rear doors.

Market Availability: All markets

SVO Order Code: H250

Minor Feature Code: A6KAP

Available on: Transit (Regular Cargo Van), E-Transit

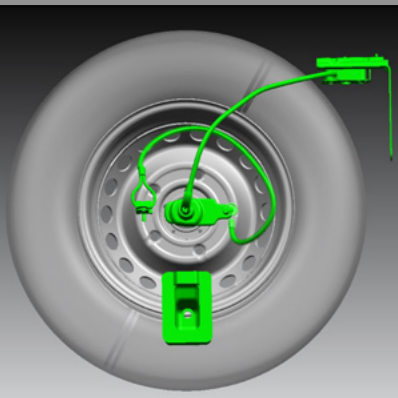
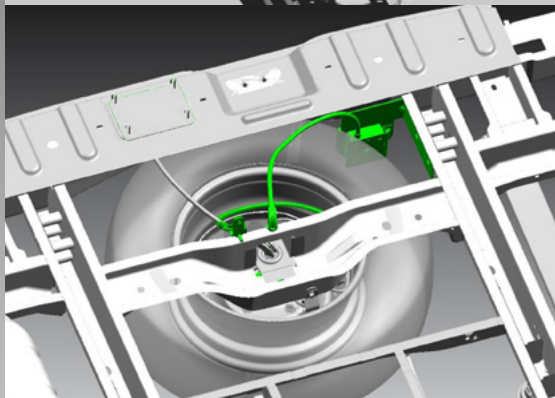
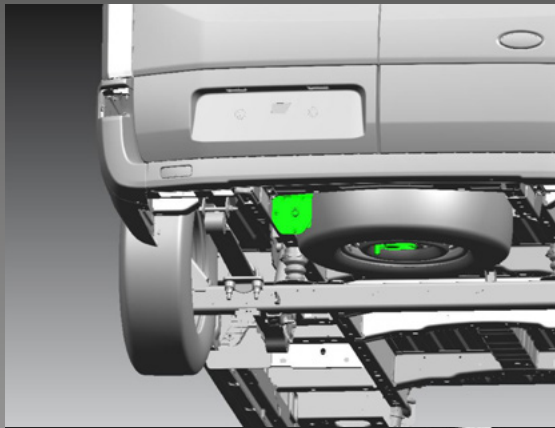


Transit



E-Transit

SPECIALIST DIRECT ACCESS TYRE CARRIER



The Specialist Direct Access Tyre Carrier allows the spare wheel to be removed from the cradle without opening the rear doors to access the release control.

This option is suitable for customers for whom a spare wheel release inside the rear doors may be inconvenient, e.g. refrigerated van, security van and ambulance. It includes both the spare wheel and tool kit.

Note: The Specialist Direct Access Tyre Carrier cannot be ordered independently, it must be ordered in conjunction with the spare wheel option (SVO Code: D17BF). Also, this option removes the trailer tow attachments, therefore it is not available to order with the Ford tow-bar.

Not available on: PHEV vehicles

Market Availability: All markets

SVO Order Code: A532

Minor Feature Code: CSGAB

Available on: Transit with Van, Kombi N1, Double Cab in Van, Bus M2, Kombi-Van M1, Kombi M1, Tourneo Custom, E-Transit



Transit



Transit Custom



Tourneo Custom



E-Transit

SPECIAL PAINT OPTIONS



A customer may wish to customise the exterior of their Ford Commercial Vehicle to reflect their business and brand. Ford offers over 100 Special Paint Options. Finished to the highest standards, all the customer will need to do is add their logo and brand details.

To stay up to date with the paint range and availability contact your local NSC for the latest SVO Paint List.

Note: Availability of colours and delivery time may vary by market.

The below minimum order quantities apply:

Transit Connect: A minimum order of 14 applies or surcharge will be added

E-Transit: Transit SVO Paint available

Ranger: A minimum order of 50 applies, or surcharge added

Others: no restriction

Market Availability: All markets

SVO Order Code: Various

Minor Feature Code: Various

Available on:



Transit



Transit Custom



Transit Connect



Transit Courier



Fiesta Van



E-Transit

TRANSIT SKELETAL CHASSIS REVERSE GEAR BUZZER



This option allows the customer to order the buzzer part and its harness as a disassembled unit within a plastic bag for skeletal chassis.

Market Availability: All markets

SVO Order Code: N/A (RPO only)

Minor Feature Code: HLDAB

Available on: Transit Skeletal (All wheelbases)



Transit Skeletal
Chassis

ELECTRONIC HIGH VISIBILITY PANELS



Good visibility is the cornerstone of road safety, especially when you may be stationary near moving traffic. The next step on from reflective and luminous stripes, Electronic High Visibility Panels are a new technology that illuminates the red part of the panel, making it easier for other road users to see the vehicle even when not directly behind it.

Ideal for maintenance and breakdown services where operator safety is increased by good visibility. These panels are compliant with Chapter 8 road safety guidance which is relevant to all vehicles stopping on motorways or highspeed roads for work purposes or inspections.

On Transit Custom these are available for Rear Cargo Doors only. On Transit they are not available with Dual Load Side Doors, 2nd row panel or right hand window panel.

Market Availability: Britain & Ireland

SVO Order Code: ELLP

Minor Feature Code: JDKAE

Available on: Transit Van, Transit Custom Van and Double Cab in Van, E-Transit



Transit



Transit Custom



E-Transit

SKELETAL CUTAWAY



This SVO has been developed for customers who require the low-floor advantages of the Transit Skeletal chassis cab with the additional benefit of Closed Roof and B-Pillar cappings. It allows flexibility for a bulkhead / back panel to be added to suit the conversion type and thus enabling more efficient conversions on the Skeletal chassis cab.

Includes:

- Roof of the vehicle to be closed permanently
- B-pillars caps with 15 fitting points for body builder connection on the back
- Back to be closed with a temporary panel for shipping

Note: Standard 'Open Roof' Skeletal still available

Market Availability: All markets (including EDM)

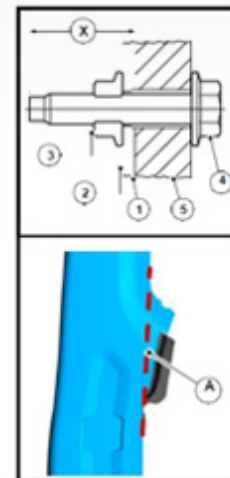
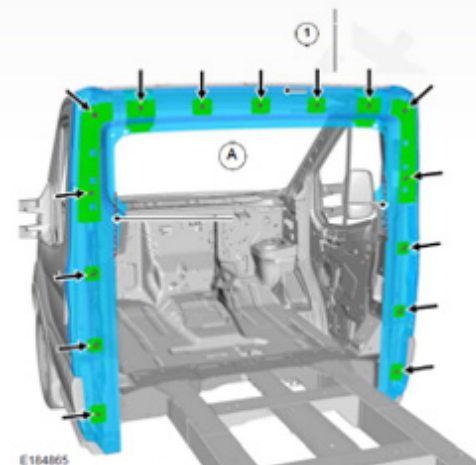
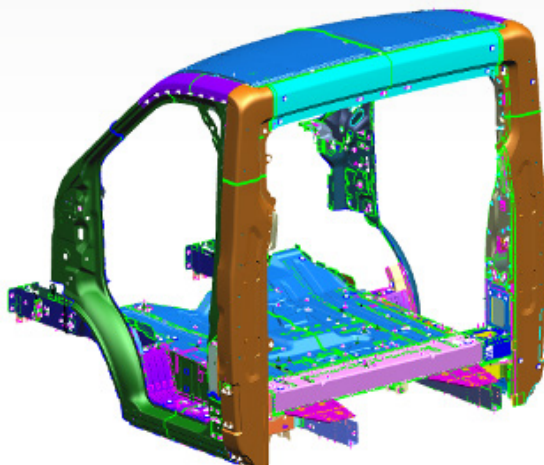
SVO Order Code: N/A

Minor Feature Code: A1GAJ

Available on: Transit Skeletal Chassis



Transit Skeletal Chassis



TRANSIT SKELETAL CHASSIS REAR LIGHTS PACK

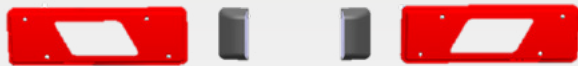


Image shows the Rear Lights Pack within the vehicle



The Transit Skeletal Chassis is currently supplied without Rear Lamp Units and Rear License Plate Lamps. These vehicles are as such, incomplete and there is nowhere to mount the rear lights (as there is no Underrun Bar fitted). Convertors require a Transit Skeletal Chassis Rear Lights Pack in order to fit them to each vehicle. The pack will be provided inside the vehicle (see below image).

Includes:

- Right and left rear lights
- License plate lamps for the rear license plate

Market Availability: All markets

SVO Order Code: A570

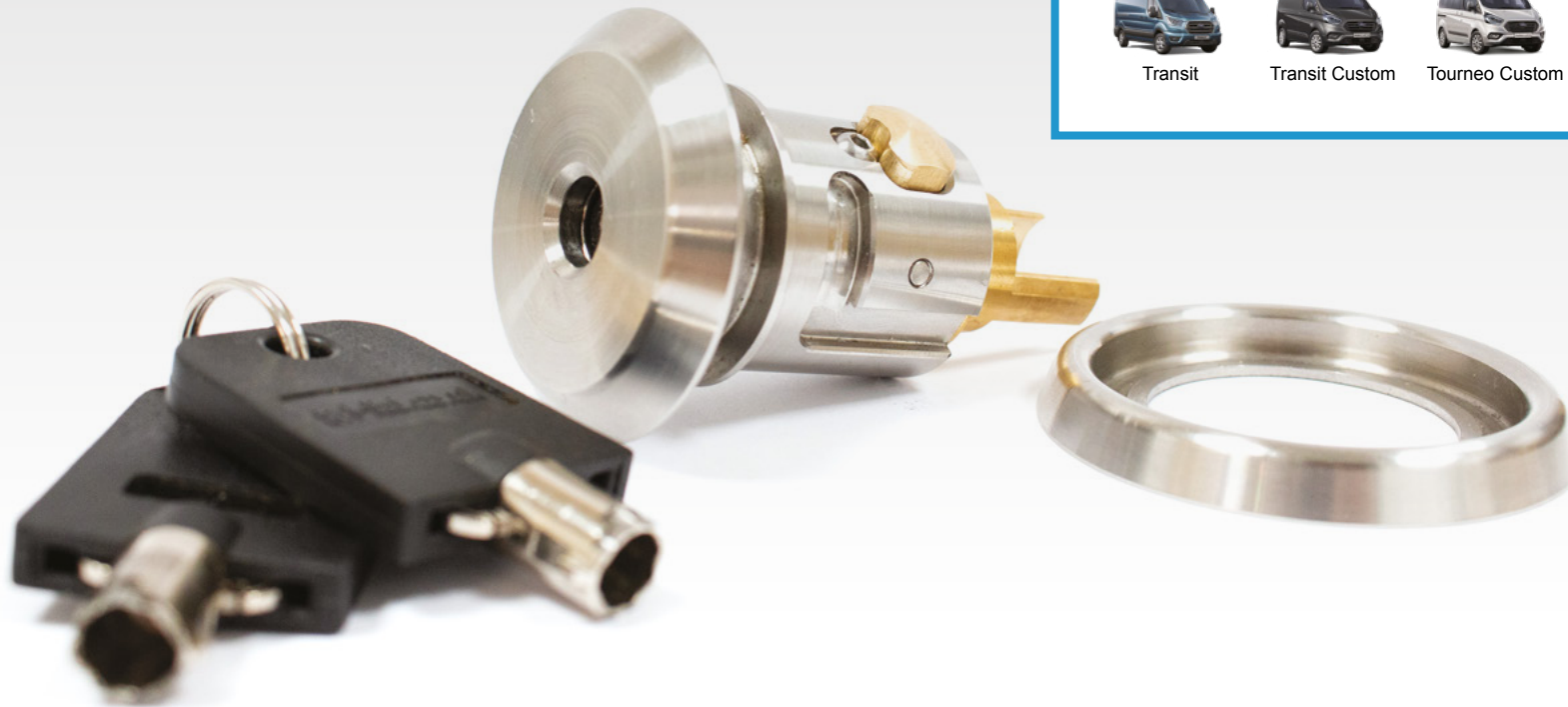
Minor Feature Code: BEBAC

Available on: Transit Skeletal Chassis



Transit Skeletal Chassis

ENHANCED SECURITY LOCK



The Enhanced Security Lock, supplied by market leader TVL™, is a direct replacement of the standard Ford lock and is a high-security anti-pick cylinder that prevents thieves from picking the driver's door open to gain access to the vehicle.

Market Availability: All markets (except EDM for Transit Custom)

SVO Order Code: N/A

Minor Feature Code: AAKBA (RPO Option)

Available on: Transit, Transit Chassis Cab, Transit Skeletal Chassis, Transit Custom (except Kombi Van M1), Tourneo Custom and E-Transit



Transit



Transit Custom



Tourneo Custom



Transit Chassis



Transit Skeletal Chassis



E-Transit

SLAM HANDLE SECURITY PACK (TVL)



The Slam Handle Security Pack by TVL is designed to replace the standard vehicle lock to offer enhanced vehicle security.

The RepLock prevents the driver's door lock from being compromised and is factory fitted as a direct replacement of the original lock. The Slam handles are a replacement of the original handle with an integrated slam lock. Slam locks were designed specifically for the courier sector to enable fast exit from a van and to remove the need to lock the vehicle each time the driver exits, thus increasing their productivity without compromising the security. Latch shields protect from external puncture attempts to override the mechanism.

Includes:

- Rear Cargo Door only
- Single Side Load Door Option
- Dual Side Load Door Option
- Includes Factory fitted RepLock (driver door)
- Includes Latch Shields to RCD and SLD
- Slam Handles fitted to RCD and SLD (auto lock, key unlock)

Market Availability: EU20

SVO Order Code: KAC

Minor Feature Code: AAKAC

Available on: Transit (Van, DCiV, Kombi Van M1), Transit Custom (Van, DCiV, Kombi Van N1 & M1), E-Transit



Transit

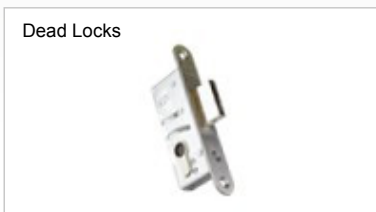
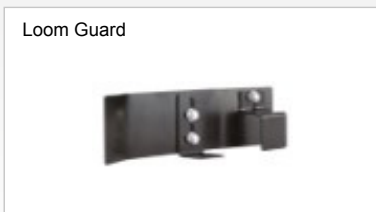


Transit Custom



E-Transit

HOOK HANDLE SECURITY PACK (TVL)



The Hook Lock Security Pack by TVL is designed to replace the standard vehicle lock to offer enhanced vehicle security.

The Replock prevents the driver's door lock only from being compromised and is factory fitted as a direct replacement of the original lock. The Loom Guards on both front doors prevent the cables from being severed to prevent access to the vehicle. The Deadlocks are independently operated locks that cast a bolt between the door and B pillar once engaged to provide additional security on both front doors. The Hook locks on the side and rear also operate independently and release a hook that secures the doors together when engaged.

Includes:

- RCD option
- Tailgate Option Transit Custom only
- Single SLD Option
- Dual SLD Option
- Includes Factory fitted RepLock (driver door)
- Includes Front door Loom Guard
- Includes Dead Locks on Driver and Passenger Front Doors
- Includes Hook Lock on side and rear doors

Market Availability: EU20

SVO Order Code: KAD

Minor Feature Code: AAKAD

Available on: Transit (Van, DCiV, Kombi Van M1, Kombi N1 & M1), Transit Custom (Van, DCiV, Kombi Van N1 & M1/ Kombi N1 & M1), E-Transit



Transit



Transit Custom



E-Transit

ARMOURSHELL SECURITY PACK (TVL)



The Armourshell Security Pack by TVL is designed to replace the standard vehicle lock to offer enhanced vehicle security.

The Replock prevents the driver's door lock from being compromised and is factory fitted as a direct replacement of the original lock. The Loom guards prevent the cables from being severed to prevent access to the vehicle. The Deadlocks are independently operated locks that cast a bolt between the door and B pillar once engaged to provide additional security on both front doors. The Armourshells provide a visual deterrent in addition to being the most robust security option with an interlocking shell design and a supporting bolt mechanism.

Includes:

- RCD only option
- Single SLD Option
- Dual SLD Option
- Includes Factory fitted RepLock (driver door)
- Includes Front door Loom Guard
- Includes Dead Locks on Driver & Passenger Front Doors
- Includes Armourshell Lock on side and rear doors

Market Availability: EU20

SVO Order Code: KAE

Minor Feature Code: AAKAE

Available on: Transit, Transit Custom, and E-Transit Vans only without rear glass



Transit



Transit Custom



E-Transit

CHASSIS CAB REAR CAMERA

This SVO has been developed for Transit Chassis Cab for the addition of a rear facing camera with no aids. The Chassis Cab Rear Camera can be ordered with any In Car Entertainment (ICE) pack which includes a display.

Market Availability: All markets

SVO Order Code: A099

Minor Feature Code: J3KAN

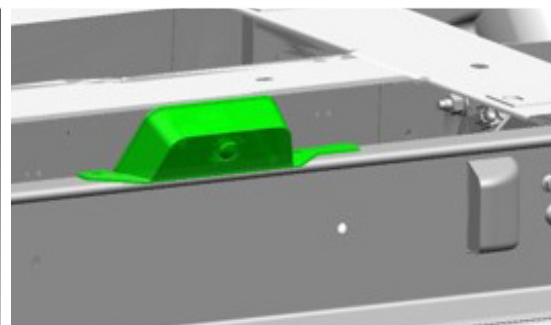
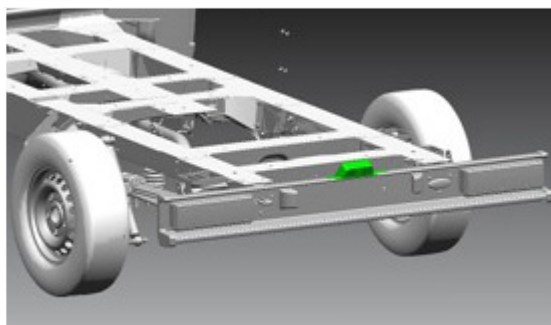
Available on: Transit Chassis, E-Transit



Transit Chassis



E-Transit



SKELETAL CHASSIS BLACK ALLOY WHEELS



This option has been developed to make black alloy wheels available for Transit Skeletal Chassis.

Market Availability: EU20

SVO Order Code: N/A (RPO only)

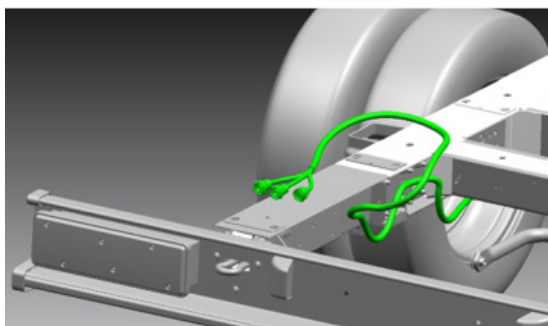
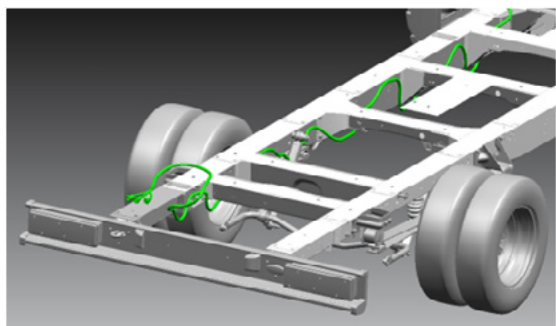
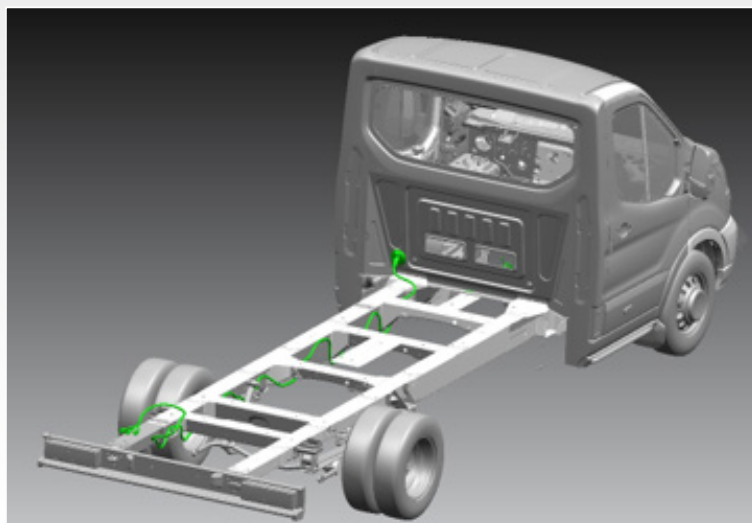
Minor Feature Code: D2XBR

Available on: Transit Skeletal Chassis



Transit Skeletal Chassis

REAR TAIL LIFT PREP PACK



This feature provides wiring in preparation for a Rear Tail Lift on Transit Chassis Cab. The Rear Tail Lift Prep Pack includes:

- Enhanced Cut off relay (JZAAC)
- Beacon Prep Pack

Market Availability: All markets

SVO Order Code: A617

Minor Feature Code: A6KAH

Available on: Transit Chassis



Transit Chassis



INTERIOR

- Sortimo™ Van Racking Pack
- Overload Protection System (Onboard Weighing)
- High Contrast Orange Seat Belts
- Chassis Cab Cutaway **(New)**
- Fuel Fired Heater **(New)**
- Enhanced Cabin and Cargo Lighting **(New)**
- Enhanced Cargo Lighting **(New)**

SORTIMO™ VAN RACKING PACK

Sortimo™ offers high-quality products, engineered and manufactured in Germany. This lightweight racking system is designed with the utmost stability and security for your customers' 'mobile workshop'. Ford customers can now have their new van delivered straight from the factory with Sortimo™ racking, ready for work, with no additional conversion lead-time.

This modular system has the facility to add to the system later by sourcing parts directly from Sortimo™ outlets. In addition, the racking pack can be transferred to other Ford vehicles, or removed if required. It cannot be ordered in conjunction with Mass Movement sensor, as the pack contains HLKAA. This pack is also not compatible with Dual Side Load Doors.



Features and benefits:

- An off-the-shelf one-stop solution for the customer
- Single invoice that can be integrated into Ford Credit Financing
- No additional local conversion (lead time)
- Crash tested to meet all European legislation
- Premium, lightweight and durable
- Easy to transfer / remove with no damage to the vehicle
- 3-year warranty on all Sortimo™ Products

Includes:

- Bulkhead as standard
- One (kerbside) sliding load door
- Non-slip phenolic floor
- Shelves with retainable boxes
- End panels that accommodate a full range of equipment
- Kerbside Sliding Load Door (Custom only)

Not available with:

- Load floor
- Compartment Trim Panel (Custom only)
- Rear Overhead Stowage (Custom only)
- Load Area Protection Kit (Custom only)
- Rear Air Conditioner (Custom only)
- Rear Compartment Heating (Custom only)
- Overload Protection System (Custom only)

Market Availability: Transit Custom - All markets except EDM RHD and Transit Connect - All markets except EDM, LHD/RHD

SVO Order Code: A7 (Transit Custom) A72 (Transit Connect)

Minor Feature Code: AALA6 (Transit Custom) AALA7 (Transit Connect)

Available on: Transit Custom Regular Van, Transit Connect SWB/LWB Van



Transit Custom



Transit Connect

Image shown is Transit Custom, LWB, LHD.

Sortimo Van Racking now available in an updated dark grey colour.

OVERLOAD PROTECTION SYSTEM

(ONBOARD WEIGHING)



The Overload Protection System from VPG allows drivers and fleets to ensure they are fully compliant with legislation and operate vehicles safely and efficiently.

Overloaded vans risk both the driver's and the fleet's licence, and the increased stopping distance and compromised handling present safety issues for the driver and other road users.

The Overload Protection System enables the driver to see the gross vehicle mass (GVM) and individual axle weight in real time. The display is located in the overhead console. A buzzer sounds if the vehicle is over the recommended GVM. A central control box uses algorithms to calculate the axle weight and displays the data in the overhead console DIN slot. Ship to Altinay.

Features and benefits:

- Simple to operate
- Optimises loads by maximising payload capacity and load distribution
- Axle weight and GVM overload warnings
- Reduces vehicle wear and tear and fuel consumption
- Avoids fines and overload penalties

Not available with:

- Smart Tachograph (Transit Custom & Transit Van only)
- Beacon Prep Pack/Ultity Vehicle Switch/Touchscreen (Transit Custom only)

Market Availability: All markets except EDM

SVO Order Code: OBS

Minor Feature Code: HLKAC

Available on: Transit (Regular Van, DCiV), Transit Chassis Cab, Transit Custom (Van only) and E-Transit



Transit



Transit Custom

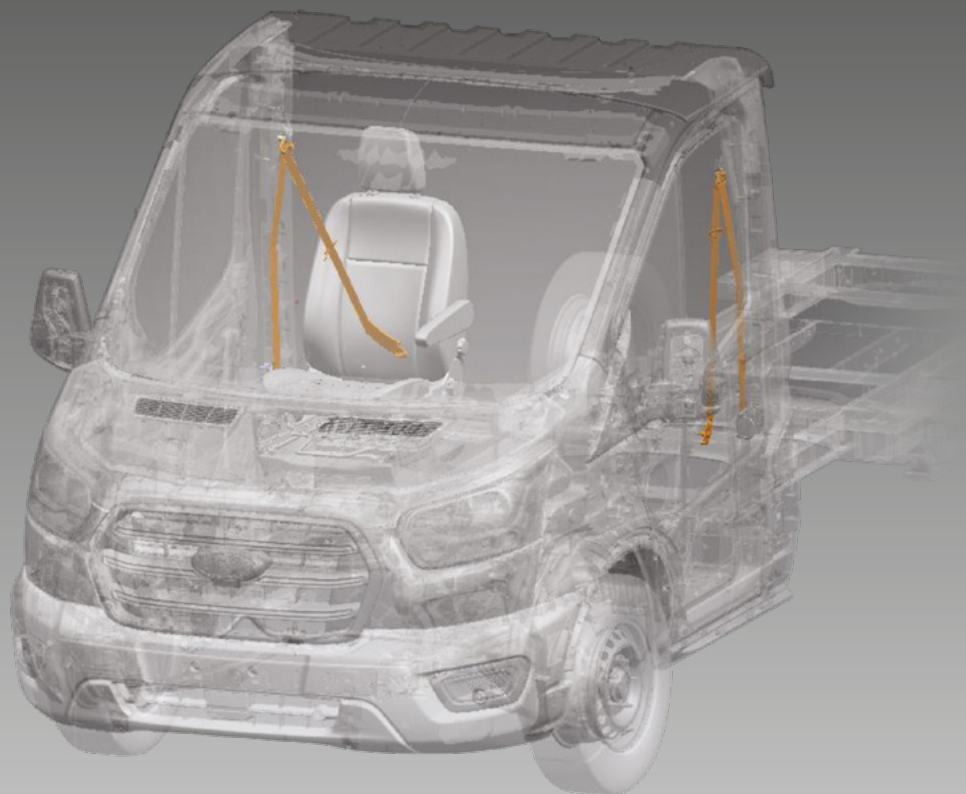


Transit Chassis



E-Transit

HIGH CONTRAST ORANGE SEAT BELTS



High Contrast Orange Seat Belts are available on a range of seat configurations for enhanced visibility:

- Seat Pack SVO 3 – single passenger seat configuration with added orange seat belts for passenger and driver
- Seat Pack SVO 5 – Omit front passenger seat and adds orange seat belt for driver only

Market Availability: All markets

SVO Order Code: Seat Pack SVO 3: A305, Seat Pack SVO 5: A307

Minor Feature Code: CPPA6

Available on: Transit (Van, Single Cab Chassis and Skeletal Chassis Only) for A305 and A307, Transit Custom (Van only), E-Transit



Transit



Transit Custom



Transit Chassis

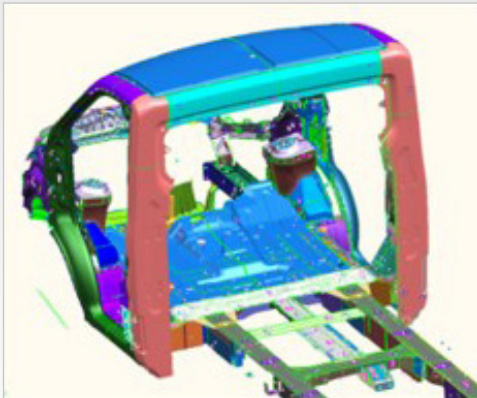


Transit Skeletal Chassis

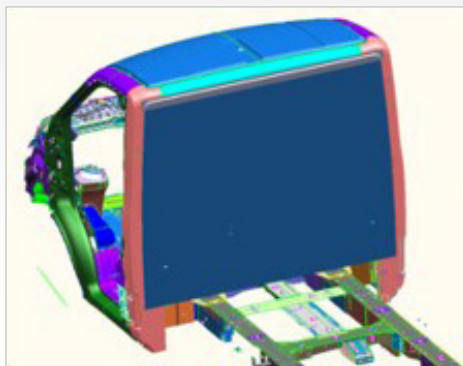


E-Transit

CHASSIS CAB CUTAWAY



CAD image shown: Back panel removed



CAD image shown:
Temporary plastic panel implemented removed

The Chassis Cab Cutaway option has been developed to remove the back panel of the Transit Chassis Cab and replace this with a **Temporary Plastic Back Panel**.

Includes:

- Deleted Sheet Back Panel
- Implements a Temporary Plastic Back Panel

Note: This feature is ideal for use in International Transport sleeper cabs, along with Bus/Coach conversions on 5-tonne Chassis Cab.

Market Availability: All markets

SVO Order Code: N/A (RPO only)

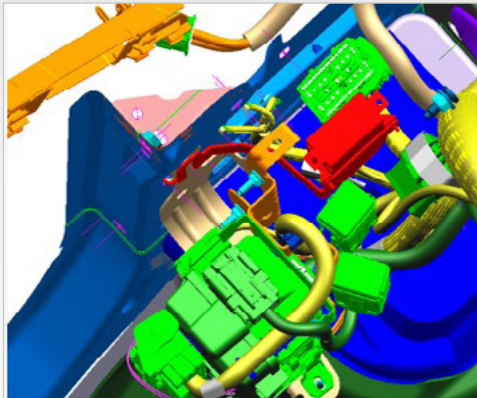
Minor Feature Code: A59AA

Available on: Transit Single Chassis Cab L2 - L5



Transit Chassis

FUEL FIRED HEATER



The Fuel Fired Heater has been developed for Transit and Transit Custom. This feature is primarily used in cold weather to provide heat to the cabin before the engine has warmed up. The Fuel Fired Heater is located under the hood and integrated with the heating system to be able to provide heat before the engine has had time to warm up. This enables hot air to be vented into the cabin earlier.

Market Availability: All markets except EDM (RHD)

SVO Order Code: N/A (RPO only)

Minor Feature Code: GZAAF & GZAAJ (Transit Custom) GZAAF & GZAAM (Transit)

Available on: Transit, Transit Chassis Cab, Transit Skeletal, Transit Custom



Transit



Transit Custom

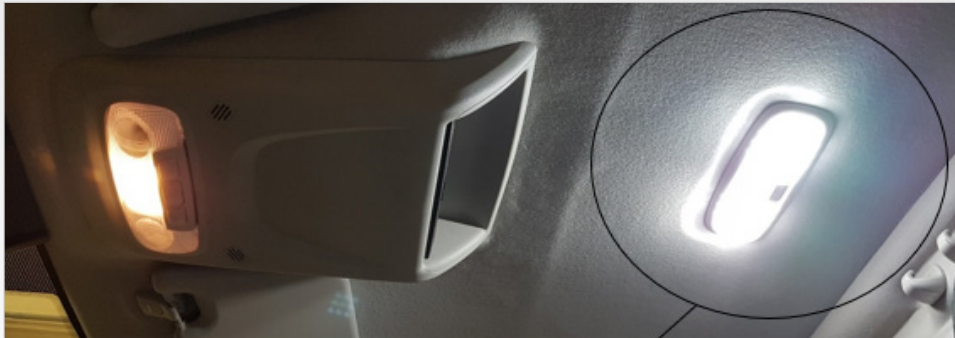


Transit Chassis



Transit Skeletal Chassis

ENHANCED CABIN AND CARGO LIGHTING



Enhanced cabin lighting circled

This feature is now incorporated within the LED load space lighting option and is an upgrade to a LED cabin light of around 500 lumens which greatly benefits any operator who uses their cabin as a mobile office.

Note: This feature includes JCFAL (Header Mounted LED)

The new enhanced cab light is an additional feature to JCMAD pack and cannot be ordered on its own.

Market Availability: All markets

SVO Order Code: N/A (RPO only)

Minor Feature Code: JCMAD

Available on: Transit Regular Cargo Van & DCiV, Transit Custom Regular Cargo Van & DCiV and E-Transit



Transit



Transit Custom



E-Transit

ENHANCED CABIN LIGHTING



This is an upgrade to the LED cabin light of around 500 lumens which greatly benefits any operator who uses their cabin as a mobile office.

For Skeletal Chassis, Single Chassis Cab & Double Chassis Cab this feature is standalone optional. For Regular Cargo Van and DCiV for both Transit Custom and Transit, this feature is an additional part of JCMAD and not available to order standalone

Market Availability: All markets

SVO Order Code: N/A (RPO only)

Minor Feature Code: JCFAL

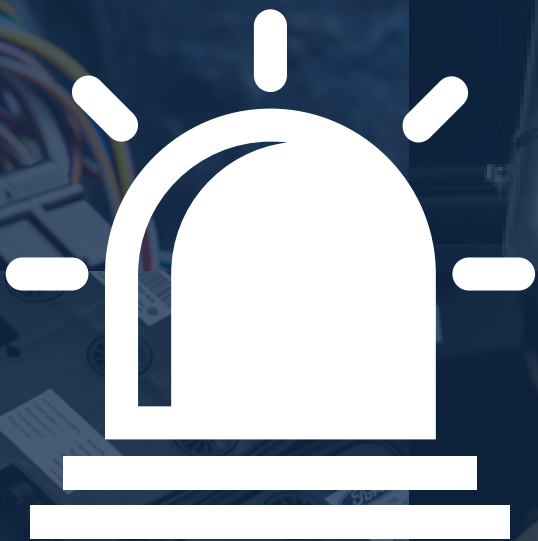
Available on: Transit Chassis Cab and Transit Skeletal Chassis



Transit Chassis



Transit Skeletal Chassis



BLUE LIGHT CONVERSION OPTIONS

- Ambulance Pack C
- Ambulance Donor Pack (Italy)
- Police Brake Shields
- Stealth Mode **(New)**

AMBULANCE PACK C



The Ambulance Donor Pack C offers the optimum power supply to all systems and the signal interface. This option provides the customer with a donor vehicle suitable for conversion to an ambulance body.

Includes:

- Fixed Rear Window
- Twin H8 AGM Batteries
- Tyre Pressure Monitoring System
- Rear Auxiliary Power Point
- Removed Side Panel Trim
- Heavy Duty Alternator
- Enhanced Interface Connector
- Auxiliary Fuse Panel
- Beacon Preparation Pack
- Front Passenger Airbag

Not available with:

- High Power Supply
- Droptside Body

Market Availability: All markets

SVO Order Code: A1

Minor Feature Code: AALEB

Available on: Regular Cargo Van, Kombi-M1, Transit with Single Cab (Regular Cab) and E-Transit



Transit



Transit Kombi

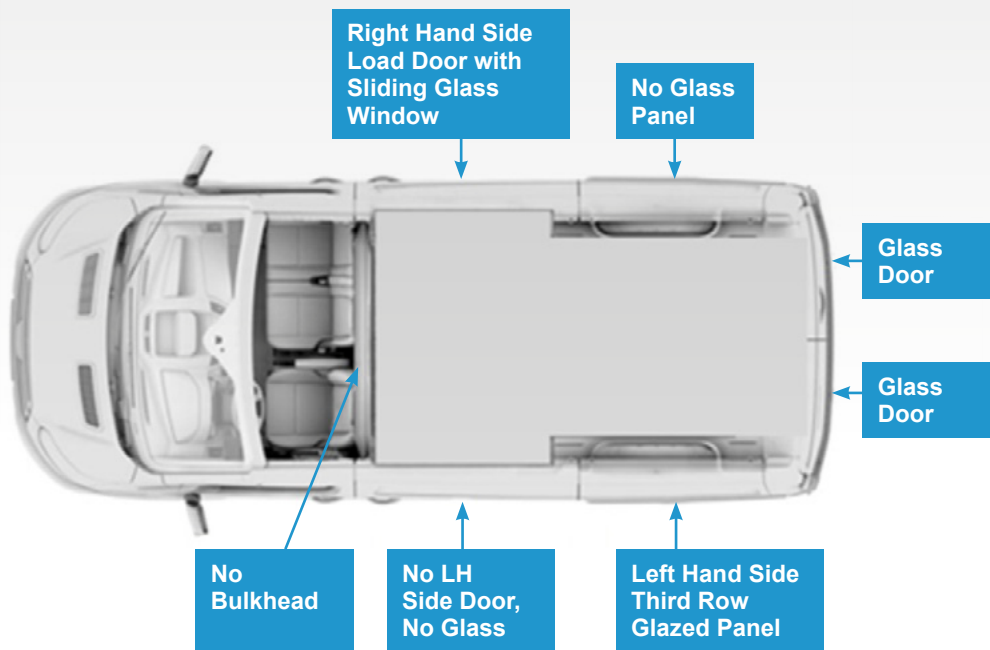


Transit Chassis



E-Transit

AMBULANCE DONOR PACK (ITALY)



This SVO is a donor for an Ambulance conversion and comprises of the following:

- Right-Hand Side Load Door / No Left-Hand Side Load Door
- Glazed Rear Doors
- Left Hand glazed 3rd row rear panel (right side unglazed)
- Programmable Battery Guard
- Police Wiring Harness (High Spec Interface Connector)
- Extra Heavy-Duty Alternator

Market Availability: Italy only

SVO Order Code: H4

Minor Feature Code: AALH4

Available on: Transit Van 350 L2 H2 FWD Trend



Transit

POLICE BRAKE SHIELDS

This feature is necessary to satisfy the UK Police Brake Test and revisions, offering enhanced brake cooling with reduced dust protection.

Market Availability: All markets

SVO Order Code: A092

Minor Feature Code: FEDAG

Available on:



Transit Custom



Tourneo Custom

STEALTH MODE



Stealth Mode disables the following features on Police and Military.

Pack content:

- Day time running lights (DTRL)
- IP and cluster illumination (when interior lighting is at lowest setting on dimmer switch)
- Cabin and load area lighting unless manually overridden
- Hazard light flash on Lock/Unlock

Note: this is only available to customers whose vehicles are homologated as Blue light or are exempt to standard requirements

Market Availability: All markets except EDM

SVO Order Code: A575

Minor Feature Code: JCHAD

Available on: Transit, Tourneo Custom, Transit Chassis Cab, Transit Skeletal, Transit Custom, E-Transit



Transit



Transit Custom



Tourneo Custom



E-Transit



Transit Chassis



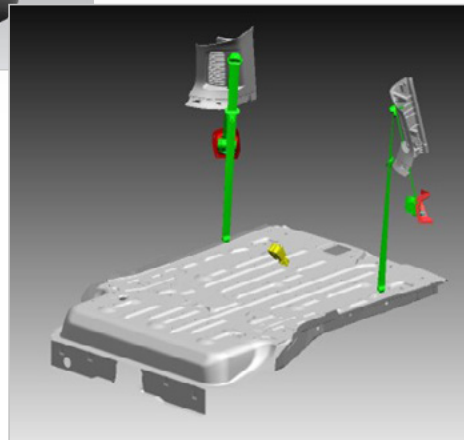
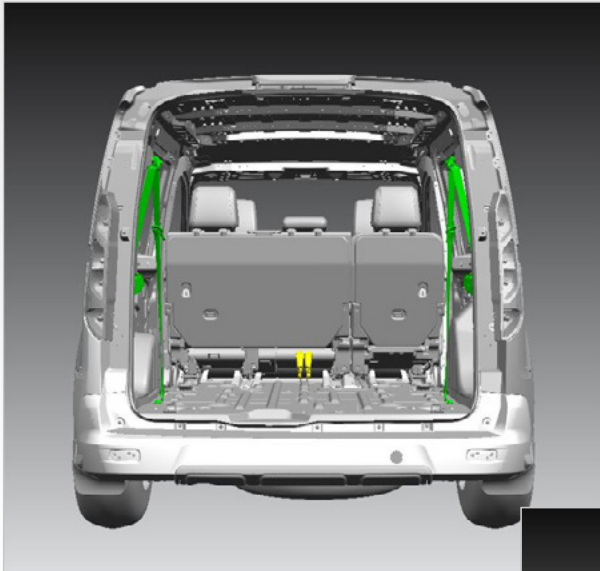
Transit Skeletal Chassis



MOBILITY / WHEELCHAIR ACCESSIBLE VEHICLE CONVERSION OPTIONS

- WAV/Taxi Conversion Pack
- WAV Adblue® Tank
- People Carrier Glazed Prep Pack
- People Mover Pack (Connect)

WAV / TAXI CONVERSION PACK



Taxi / Wheelchair Accessible Vehicles (WAVs) often use different seating arrangements in the 3rd row with either modified seats or space for wheelchairs to be secured in place. This pack provides first and second row seats only while keeping all body fixings for a third row in place to allow other solutions to be safely fitted.

This Pack supports Taxi and Wheelchair Accessible Vehicles (WAVs) where only the first and second row of seats are required.

The content of the Pack is different between LHD & RHD:

RHD Content (RHD vehicle has standard rear 3rd row seatbelt and fixings):

- Includes first and second row seats only
- Add in Seat Belt fixings - Body In White
- Supply Seat Belts and Pre-Tensioners in a Box placed in vehicle
- Includes floor mats/carpets (NSCs to localise)

LHD Content (LHD vehicle has NO standard 3rd row seats):

- Add in Seat Belt fixings - Body In White and 3rd row
- Supply Seat Belts and Pre-Tensioners in a Box placed in vehicle
- Excludes floor mats/carpets (NSCs to localise)

Market Availability: All markets (LHD & RHD specific options)

SVO Order Code: F2

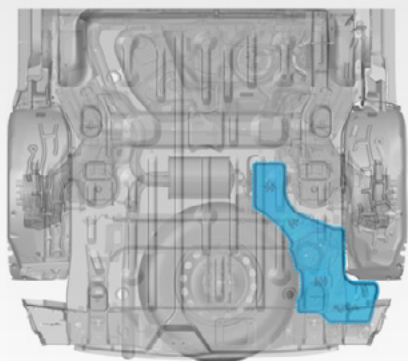
Minor Feature Code: AALNQ

Available on: Tourneo Connect (LWB only)

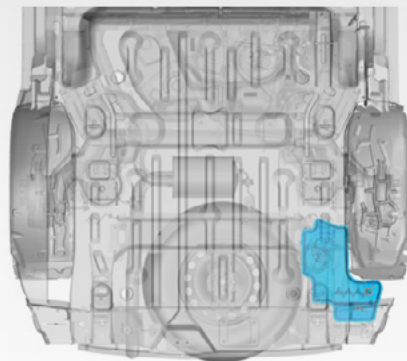


Tourneo Connect
(LWB only)

WAV ADBLUE® TANK



Standard AdBlue® tank



WAV 9-litre AdBlue® tank

A new 9-litre AdBlue® Tank, compatible with wheelchair accessible vehicle (WAV) conversions where the rear floor is modified. Contains Standard Duty Alternator.

The WAV AdBlue® Tank Conversion offers a fully integrated solution including the AdBlue® Tank, bracketry and calibration.

The alternative tank's position means that converters can now fit ramps to allow wheelchair access.

Market Availability: All markets

SVO Order Code: AW

Minor Feature Code: AGAAW

Available on: Transit and Tourneo Connect with SWB Kombi, LWB Kombi, SWB COM Kombi and LWB COM Kombi



Transit Connect



Tourneo Connect

PEOPLE CARRIER GLAZED PREP PACK



Suitable for conversions into specialist people carriers (e.g. Wheelchair Accessible Vehicles). (Incomplete vehicle – Multistage)

For RHD markets

For LHD markets

Includes:

- High Roof Line
- Fixed Rubber Flooring in Cabin Area Only
- Power Side Step

- Power Side Step
- Floor Covering
- Scuff Plates

Removes:

- Rear Seat Packs
- Manual Front Air Conditioning
- Rear Compartment Trim Panel
- Rear Overhead Stowage
- Scuff Plates

- Rear Seat Packs

Market Availability: All markets (except EDM RHD)

SVO Order Code: JJ

Minor Feature Code: AALJJ

Available on: Transit with Bus M2 only



Transit

PEOPLE MOVER PACK (CONNECT)

TOURNEO CONNECT



This pack provides just front row seats, plus all body fixings in the rear for second/third row seats to allow other solutions to be fitted easily and safely

Package tray, overhead console and load floor covering also removed to support easy conversion. (Incomplete vehicle – Multistage)

Market Availability: All markets

SVO Order Code: JJ

Minor Feature Code: AALPM

Available on: Tourneo Connect with SWB Kombi BS-AG and LWB Kombi BS-AH



Tourneo Connect



WORKSHOP CONVERSION OPTIONS

- Mobile Workshop Pack (Service Line)
- Conversion Prep Pack
- Mobile Service Van **(New)**

MOBILE WORKSHOP PACK (SERVICE LINE)



A Sortimo conversion, developed for customers who need a mobile workshop (electricians, plumbers, service engineers). Complete ship to Sortimo.

Includes:

- Anti-skid phenolic floor
- Side lining
- Storage cabinets
- Shelves with retainable boxes
- Pull-out vice
- Venting for transporting gas cylinders
- Bulkhead as standard
- One (kerbside) sliding-load door
- Compartment Trim Panel
- Overhead Stowage

Note: Not available to order with these RPOs:

- Sealed Load Floor
- Dual side Load Door
- Rear Water Utility Heating
- Rear Climate Control
- Interior roof rack (FCSD option)

Market Availability: Austria, Belgium, Switzerland, Germany, Netherlands, Poland

SVO Order Code: A6

Minor Feature Code: AALE6

Available on: Transit Van, Transit Custom Van, E-Transit



Transit



Transit Custom



E-Transit

CONVERSION PREP PACK



Image shown is Transit Custom Kombi

The Conversion Prep Pack consists of a donor vehicle with headliner and flooring only in front section, both are removed from the back section, the bulkhead is also removed leaving the vehicle as a versatile base for conversions, such as to an ambulance. (Incomplete vehicle – Multistage)

Includes:

- Headliner and flooring in front section only
- Less bulkhead
- Less coat hook

Market Availability: All markets

SVO Order Code: EZ

Minor Feature Code: AALEZ

Available on:



Transit Custom
Kombi Van

MOBILE SERVICE VAN



Donor vehicle for mobile workshop service van.

Includes the following standard features for ease of ordering:

- High roof
- Operator Commanded DPF Regeneration
- Manual AC
- 250° Rear cargo doors
- Electric windshield defroster
- Less load floor covering
- Thatcham Cat 1 alarm
- Power point plug
- LED load compartment lights
- Enhanced Touchscreen Control
- Power pack fuse box
- Moondust silver
- Security locks anti-pick

Market Availability: Britain and Ireland only

SVO Order Code: QA

Minor Feature Code: AALQA

Available on: Transit (Van only)



Transit

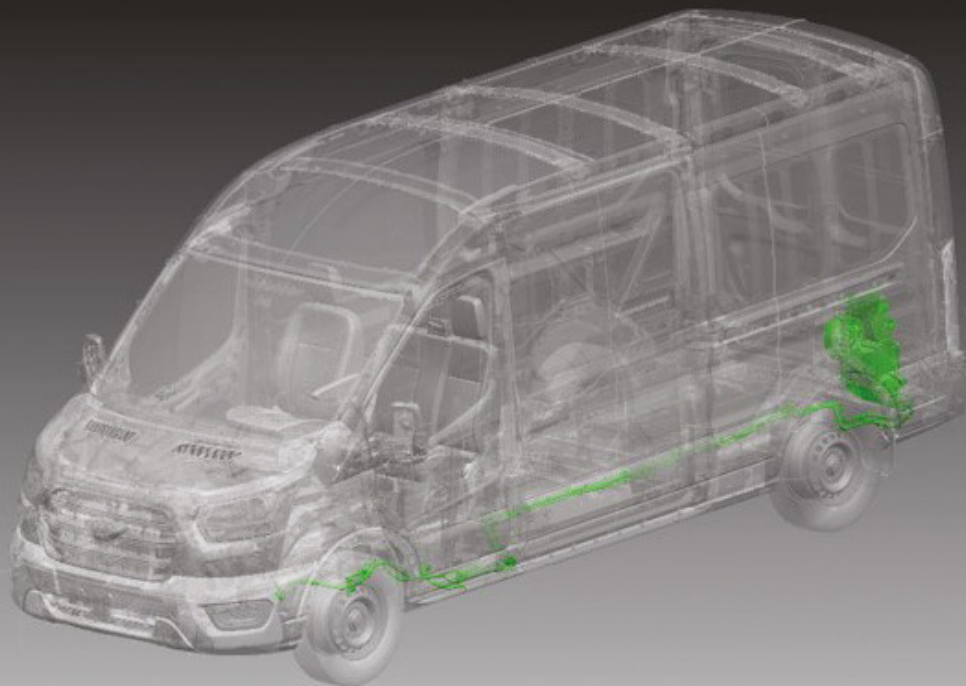


REFRIGERATION CONVERSION OPTIONS

- Refrigeration Rear Air Conditioning Pack - For Transit
- Refrigeration Rear Air Conditioning Pack - For Transit Custom

REFRIGERATION REAR AIR CONDITIONING PACK

FOR TRANSIT



This option is ordered in conjunction with The Refrigeration Rear Air Conditioning Pack for Transit and provides the rear supply of air conditioning in preparation for chilled conversions.

Suitable for chilled-van conversions (e.g. pharmaceutical delivery industry) to maintain ambient temperature. This option mounts a Climate Control unit in the LHS rear D-pillar.

This unit is un-ducted and has no trim. The converter must fit ducting to direct chilled air as required. Converter also required to conceal the Climate Control equipment in the D-pillar.

Includes:

- Rear climate control (provided but not mounted)
- Rear compartment water heating

Not available with:

- Load Area Protection Kit
- Power converter
- Interior trim on D-pillar
- Thatcham Alarms
- Load Retention Pack
- Bulkhead (ABKAH only)

Market Availability: All markets (except EDM for ABKAF)

SVO Order Code: Group 5 (FWD) - A813, Group 7 (RWD) - A814

Minor Feature Code: Group 5 (FWD) - ABKAF, Group 7 (RWD) - ABKAH

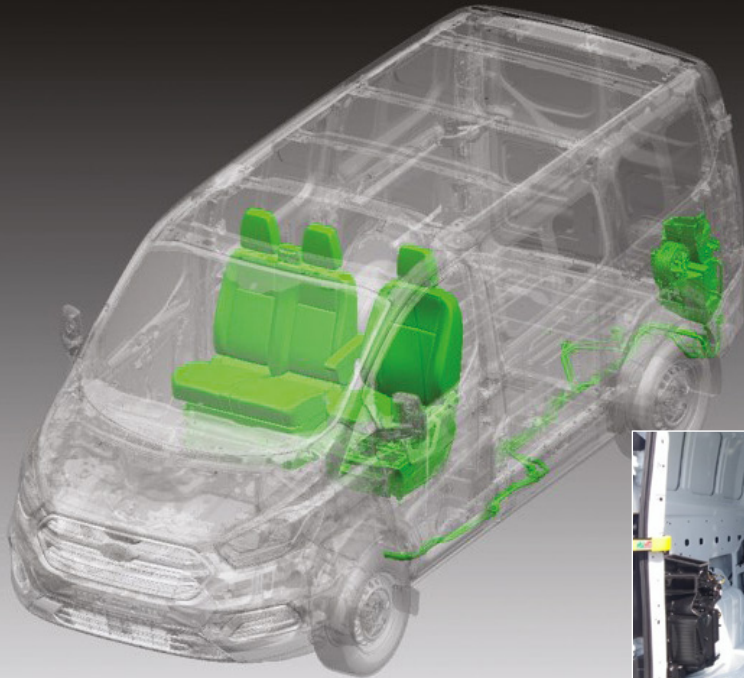
Available on: Transit (Van only)



Transit

REFRIGERATION REAR AIR CONDITIONING PACK

FOR TRANSIT CUSTOM



The Refrigeration Rear Air Conditioning Pack enables bespoke refrigeration conversions. This option mounts a Climate Control unit in the LHS rear D-pillar. This unit is un-ducted and has no trim. The converter must fit ducting to direct chilled air as required. Converter also required to conceal the Climate Control equipment in the D-pillar. (Incomplete vehicle – Multistage)

Includes:

- Rear seat climate control - manual air conditioning (provided, but not mounted – converter supplies directional ducting and housing)
- Dual passenger seat

Not available with:

- Overload Protection System
- Cargo Stowage Rail/Rack
- Load floor covering
- Load Area Protection Kit

Notes: LWB only

Market Availability: Britain & Ireland only

SVO Order Code: RG

Minor Feature Code: AALRG

Available on: Transit Custom (Van only)



Transit Custom



TAXI CONVERSION OPTIONS

- Taxi Specialist Pack
- WAV/Taxi Conversion Pack

TAXI SPECIALIST PACK



This Pack removes the standard single second and third-row seats and adds in a dual and single seat in the third row. (Incomplete vehicle – Multistage)

Suitable for Wheelchair and Taxi conversion requirements. Rear HVAC (Heating, Ventilation & Air Conditioning) unit situated behind single seat.

Market Availability: All markets (except EDM)

SVO Order Code: EX

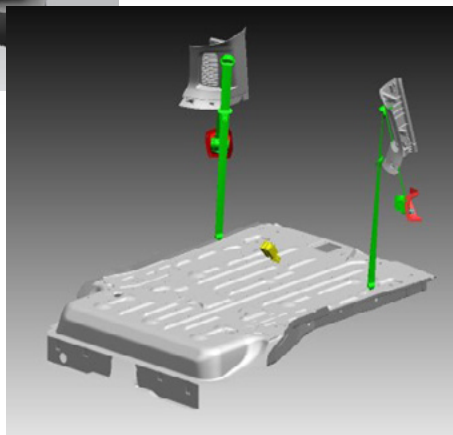
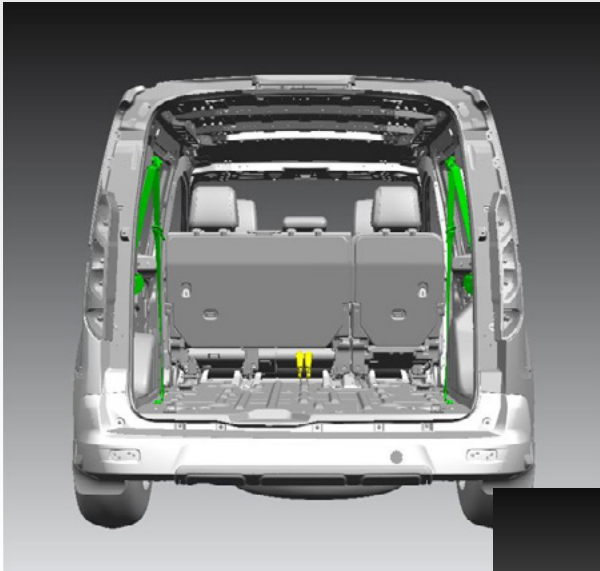
Minor Feature Code: AALEX

Available on: Tourneo Custom



Tourneo Custom

WAV / TAXI CONVERSION PACK



Taxi / Wheelchair Accessible Vehicles (WAVs) often use different seating arrangements in the 3rd row with either modified seats or space for wheelchairs to be secured in place. This pack provides first and second row seats only while keeping all body fixings for a third row in place to allow other solutions to be safely fitted.

This Pack supports Taxi and Wheelchair Accessible Vehicles (WAVs) where only the first and second row of seats are required.

The content of the Pack is different between LHD & RHD

RHD Content (RHD vehicle has standard rear 3rd row seat belt and fixings):

- Includes first and second row seats only
- Add in Seat Belt fixings - Body In White
- Supply Seat Belts and Pre-Tensioners in a Box placed in vehicle
- Includes floor mats/carpets (NSCs to localise)

LHD Content (LHD vehicle has NO standard 3rd row seats):

- Add in Seat Belt fixings - Body In White and 3rd row
- Supply Seat Belts and Pre-Tensioners in a Box placed in vehicle
- Excludes floor mats/carpets (NSCs to localise)

Market Availability: All markets (LHD & RHD specific options)

SVO Order Code: F2

Minor Feature Code: AALNQ

Available on: Tourneo Connect (LWB only)



Tourneo Connect
(LWB only)



DELIVERY VAN CONVERSION OPTIONS

- Express Delivery Pack
- Front Seat Packs 11 & 12 (Delete Passenger Seats)
- Express Delivery Van Pack Premium
- SWB Chassis Cab with Dual Rear Wheels
- Postal Van (Germany)
- Partial Self-Colour Bumper **(New)**
- Double Chassis Cab Tarpaulin Conversion **(New)**

EXPRESS DELIVERY PACK



The Express Delivery Pack provides customers with a vehicle that is already protected and ready for use or further conversion.

The pack allows goods to be secured safely and adds some protection to the sidewalls.

Includes:

- Phenolic Floor Covering, Polypropylene (PP) Side Lining and Tiedown Rails suitable for a variety of delivery uses
- Market standard Bulkhead
- Available with both single and dual side doors
- Mid and high-level cargo rails (airline track)

Not available with: Compartment Trim Panels, Load Floor Covering, Load Area Protection Kit, Cargo Stowage Rack/Rail, Rear Seat Climate Control, Electronic High Visibility Panels, Overload Protection System

Market Availability: Austria, Belgium, Switzerland, Germany, France, Netherlands, Poland

SVO Order Code: E1

Minor Feature Code: AGAAF

Available on: Transit van, E-Transit



Transit



E-Transit

FRONT SEAT PACKS 11 & 12 (DELETE PASSENGER SEATS)



The passenger seat pedestal is removed, although the seat belt is retained. This layout is used by various fleets such as postal and delivery companies. It requires a four-way driver's seat with base cloth trim and in-board arm-rest.

Note:

- Not available with driver's seat lumbar support (BVF DL only), heated seat or side airbags
- Available with fixed steel bulkhead (unglazed and glazed), and removed bulkhead (where allowed)
- Also available with plastic bulkhead
- Not available with load-through hatch

Market Availability: All markets (excluding Russia)

SVO Order Code: A304

Minor Feature Code: BVF DL / BVF DM

Available on: Transit Regular Van, Kombi-Van M1, Kombi-M1, Kombi-N1, Single cab Chassis, Transit Custom (except DCiV), E-Transit



Transit



Transit Custom



Transit Chassis



E-Transit

EXPRESS DELIVERY VAN PACK PREMIUM



Cargo net not included

This SVO offers factory-fitted integrated rails and fixing points for racking systems.

Features and benefits:

- Multiple fixing points to facilitate a range of racking solutions
- Multifunctional hard floor
- Integrated rails with additional fixing points in the floor
- Multifunctional side rails (half height and full height)
- Single side load door (not available with dual side load door)
- Market standard bulkhead
- Rear load box fully lined with honeycomb plastic cladding
- Rear trim board

Not available with:

- AAL SVO Packs
- Power Equipment Groups
- Overload Protection System
- Dual Rear Wheel Pack
- Electronic High Visibility Panels
- Load Area Protection Kit
- Rear Overhead Stowage
- Interior Partition
- 2nd row window

Market Availability: All markets (excluding Russia)

SVO Order Code: EX

Minor Feature Code: AGAAX

Available on: Transit Van



Transit

SWB CHASSIS CAB WITH DUAL REAR WHEELS

This option is a 3.5-tonne short wheel base (SWB) L1 Chassis Cab with dual rear wheels (DRW).

The option increases SWB L1 Chassis Cab Gross Vehicle Mass from 3.1-tonne to 3.5-tonne, which is predominantly required for conversions requiring a higher payload with short overall length. Not available with Drop side body. (Incomplete vehicle – Multistage)

Examples of usage include:

- Recovery vehicles
- Tippers Refuse truck

Market Availability: All markets (except EDM)

SVO Order Code: A4

Minor Feature Code: AA7AM

Available on: Transit Chassis with Single Cab (Regular Cab) - SWB L1



Transit Chassis

POSTAL VAN (GERMANY)



Ford's Postal Van is a donor vehicle with a reduced load capacity offering a total of 2,790 kg on the VIN plate to support legal compliance in some countries allowing the vehicle to mount the kerb.

Note: Currently only available in German market

Market Availability: Germany only

SVO Order Code: L7

Minor Feature Code: AALRE

Available on: Transit Custom Van



Transit Custom

PARTIAL SELF-COLOUR BUMPER



This SVO provides the opportunity to replace the existing full painted body colour bumper for a self-colour bumper to enable low cost repairs and maintenance. This could be used for a variety of customers for example postal services.

Includes:

- Delete Full Body Colour Front Bumper
- Add Partial Body Colour Front Bumper

Market Availability: EU20

SVO Order Code: To be confirmed

Minor Feature Code: BLCAK

Available on: Transit Custom Van (Low Roof)



Transit Custom

DOUBLE CHASSIS CAB TARPAULIN CONVERSION



This option includes the assembly of a Tarpaulin kit on a Transit Double Chassis Cab float. The Tarpaulin encloses the entire cargo area. It can be easily closed/opened by using hooks in combination with a rope.

Includes:

- Tarpaulin Kit

Market Availability: EU20 and EDM (LHD)

SVO Order Code: LQQ

Minor Feature Code: AALQQ

Available on: Transit Double Chassis Cab



Transit Chassis
Double Cab



COMMUNITY AND OFFICE TRANSPORT CONVERSION OPTIONS

- People Mover Pack (For Transit Kombi)

PEOPLE MOVER PACK

FOR TRANSIT KOMBI



Donor vehicle for recreational and community transport. Able passengers may enter via the front passenger door. (Incomplete vehicle – Multistage)

Includes:

- Glazed Windows
- Emergency Hammer
- Spare Wheel
- Kombi M1, high roof
- Driver seat only
- Full headliner

Not available with:

- Bulkhead
- Load Area Protection Kit
- Cargo Stowage Rack/Rail
- Rear Seat Packs
- Rear Seat Climate Control
- Rear Compartment Water Heating
- Side load doors

Note: Passenger airbag is standard, including seat belt reminder.

Market Availability: All markets (LHD only)

Minor Feature Code: AALPM

Available on: Transit Kombi



Transit Kombi



UTILITY PACK CONVERSION OPTIONS

- Double Cab Equipment Storage
- Maintenance Van Pack

DOUBLE CAB EQUIPMENT STORAGE

This feature is ideal for operators who require an internal storage area for equipment, removing both the rear seats and glazing from the rear doors. (Incomplete vehicle – Multistage)

Features and benefits:

- Day/Night interior mirror (optional)
- Customers may choose to fit an aftermarket bulkhead
- Optional partial headliner over first row only
- Not to be ordered with side airbag
- Unglazed second row
- Rear back panel is glazed
- Moulded headliner is extended

Market Availability: All markets

SVO Order Code: A989

Minor Feature Code: AALDI

Available on:



Transit Chassis
Double Cab



MAINTENANCE VAN PACK



Donor vehicle for maintenance vans. (Incomplete vehicle – Multistage)

Includes:

- Low Roof
- Beacon Preparation Pack
- Twin AGM batteries
- Wiring and switches in the overhead console for beacon and water heater
- Rear Auxiliary Power Supply 12-V
- H7 AGM Deep Cycle Battery
- Only in Frozen White paint
- Rear Hinged Cargo Door

Not available with:

- Overload Protection System
- Enhanced Electronic Interface Pack.

Market Availability: Britain and Ireland only

SVO Order Code: G2

Minor Feature Code: AALD1

Available on: Transit Custom van



Transit Custom



MOTORHOME CONVERSION OPTIONS

- MPV Camper (Euroline)
- Transit Seat Packs (16,17,18)
- Front Swivel Seats (Seat Pack 49)
- Camper Seats Less Fabric (SVO Seat Pack 6) **(New)**
- Tourneo Custom Camper Pack **(New)**

MPV CAMPER (EUROLINE)



Set of features that can be added to a M1 Bus low roof (H1) donor vehicle.

The pack can be added to vehicles of all wheelbases (L1 and L2). Complete-Ship to Sortimo.

Ford Content:

- Wheelbase L1 (Single invoice)
- Wheelbase L2 (Twin invoice)
- Low Roof (A1FAB)
- Less Load Area Protection Kit
- SVO Contains (AASCU)
- Privacy Glass (B2GAE)
- Less Sun Blinds (BBVAA)
- Seat Pack 49 (BVFBS)
- H7 AGM Deep Cycle Battery (HTCAF)
- 2 or 4 Load Compartment Tie Down Loops (depending on spec L1 or L2)

Sortimo Content:

- Rear cabin heater
- Multi-Functional Load Floor (VP-FCSD) with carpet
- Storage boxes
- Rear bench seat / Bed
- Central Table
- Window curtains
- Tilt Roof Optional (Twin invoice business)

Market Availability: All markets except EDM

SVO Order Code: E5

Minor Feature Code: AALFL

Available on: Tourneo Custom Bus M1 only



Tourneo Custom

TRANSIT SEAT PACKS (16, 17, 18)

Designed for easier cross-cab movement and improved access to the rear conversion. Transit Skeletal Chassis model can be specified with an outboard handbrake, positioned between the driver's seat and door.

Includes:

- Two-way headrests
- Four-way manual adjustment driver with cushion tilt
- Driver seat armrests
- Dark Palazzo/Quadrant (Fabric) – SP16/17
- Ebony – Capital/City (Fabric) – SP18

Not available with:

- Side airbags
- Lumbar support
- Heated seats
- Fuel fired heater

Front-row seating options to support a skeletal chassis vehicle for conversion.

Seat Pack SVO 16:

Outboard handbrake on L3, L4 Skeletal Chassis (RHD)

Seat Pack SVO 17:

Less Passenger Seat Option on L3 Skeletal Chassis (LHD)

Seat Pack SVO 18:

Less passenger seat option on L4 Skeletal Chassis (LHD)

Market Availability: All markets except EDM

SVO Order Code: A320 (Seat Pack 16), A317 (Seat Pack 17) & A318 (Seat Pack 18)

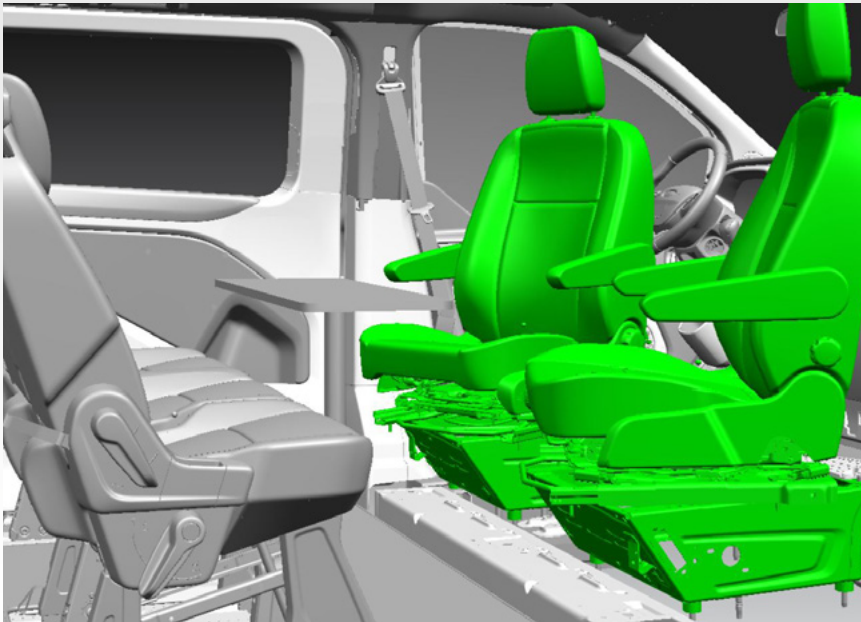
Minor Feature Code: BVFDR (Seat Pack 16), BVFDS (Seat Pack 17), BVFDT (Seat Pack 18)

Available on: Transit Skeletal Chassis



Transit Skeletal Chassis

FRONT SWIVEL SEATS (SEAT PACK 49)



The front swivel seats add a swivel function to allow both front seats to rotate into a rear-facing position. Suitable for camper or office conversions. Not compatible with Single H8 AGM Battery.

Includes:

- Two-way headrests
- Four-way manual adjustment for driver and passenger
- Lumbar seat support for driver and passenger
- Adjustable armrests for driver and passenger
- Ebony – Capital/City (Fabric)

Not available with:

- Side airbags
- Heated seats
- Bulkhead (Transit only)
- H8 AGM battery

Note: Only available on Camper Donor Vehicles (ABMC1 & ABMC2)

Market Availability: All markets except EDM RHD

SVO Order Code: N/A

Minor Feature Code: BVFBS

Available on: Transit Regular Van, Skeletal Chassis, Single Cab Chassis – Standard, Transit Custom Kombi M1, Kombi N1, Tourneo Bus M1



Transit



Transit Custom



Tourneo Custom



Transit Chassis



Transit Skeletal Chassis

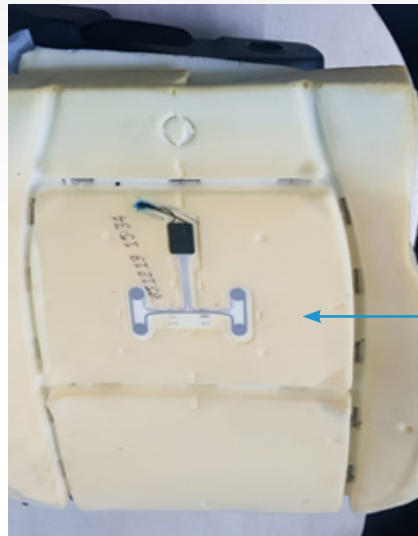
CAMPER SEATS LESS FABRIC

(SVO SEAT PACK 6)



40gr White Tela Cover
from top to bottom

90gr Black Tela



SBR Mat

This SVO pack removes the fabric from Camper seats, with Seat Belt Reminders (SBR). To protect foam and to prevent friction between manipulator and foam, white tela will be used. Converters must adhere to process outlined in the BEMM. To receive access to the BEMM, please contact BEMM2@ford.com

Includes:

- Continuation of Fabricless seats on Transit
- Introduction of Fabricless seats to Transit Custom
- Both vehicle lines have seat belt reminder pad at 21.75MY

Note: Exposed seat occupant sensor requires additional care during re-covering. Protective coverings will be supplied for transport to convertor. (As seen in images)

Market Availability: EU20

SVO Order Code: A326

Minor Feature Code: BVFDF

Available on: Transit Regular Van, Transit Chassis Single Cab, Transit Skeletal Chassis, Transit Custom Kombi M1



Transit



Transit Custom



Transit Chassis



Transit Skeletal Chassis

TOURNEO CUSTOM CAMPER PACK



The Tourneo Custom Camper Pack (Caravan Pack) bundles together features for ease of ordering. This pack contains:

- Rear Splash Guards (A1KAB)
- Less Running Boards (BLBAA)
- Front Swivel Seats Seat Pack 49 (BVFBS)
- 17 X 7 ALLOY WHEEL (D2YBT) (Standard Wheel)
- Perimeter Anti-theft (HNAAD)
- Rear View Camera-fixed (J3KAB)
- 17" Alloy Wheel Style 1 (D2YBU) (Optional Wheel)
- 17" Alloy Wheel Style 2 (D2YBV) (Optional Wheel)
- 7.0 X 17" 5 Spk Alloy Mach Whl (D2YCP) (Optional Wheel)

Market Availability: EU20

SVO Order Code: E10

Minor Feature Code: AALAW

Available on: Tourneo Custom Bus M1



Tourneo Custom

D2YBT



D2YCP

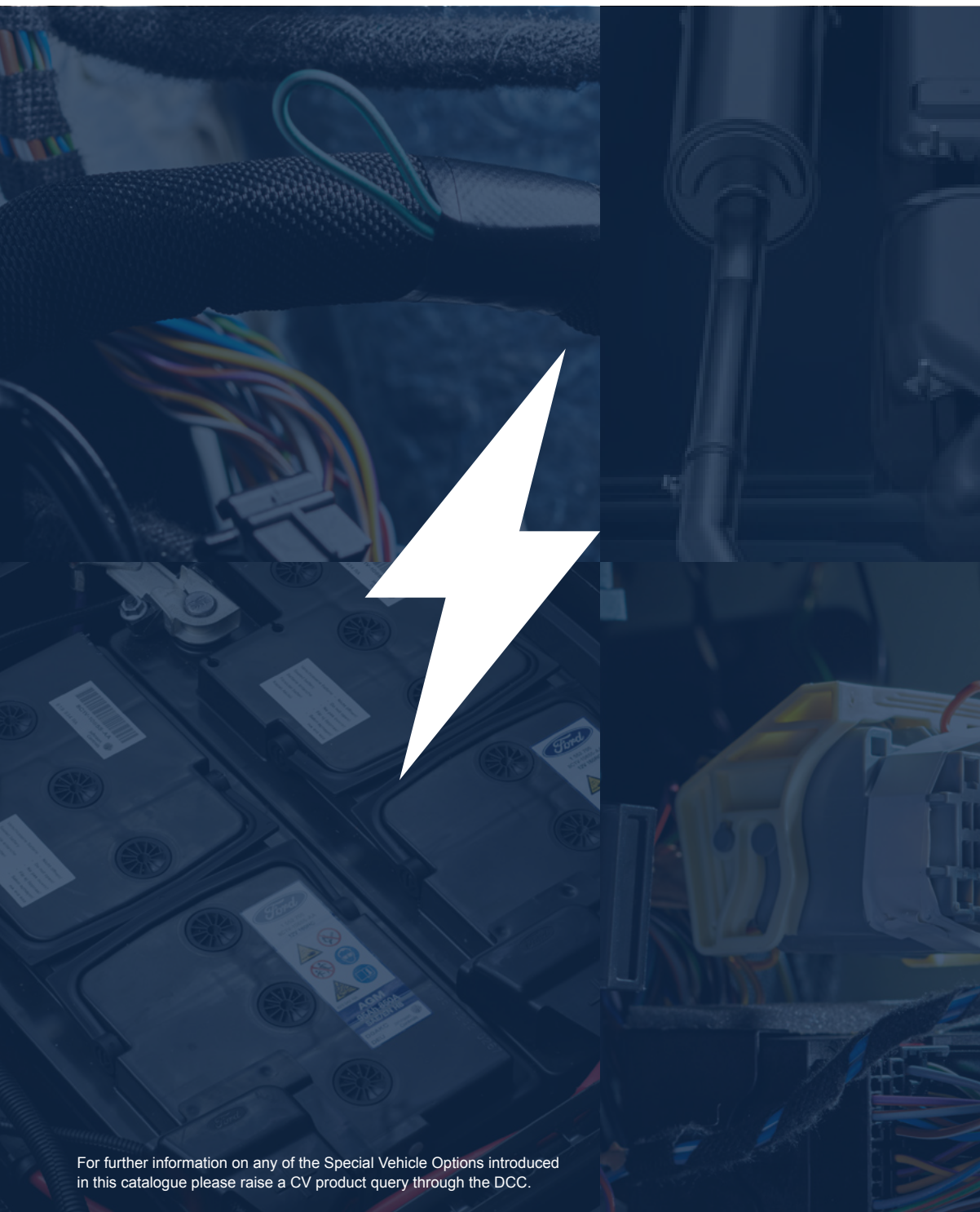


D2YBV



D2YBU









ELECTRIC VEHICLE OPTIONS

- Smart Tachograph 4.0
- Transit Chassis Side Lamp Pack
- Single H8 AGM Battery
- Auxiliary Fuse Relay Panel
- Beacon Prep Pack (Wiring)
- Utility Vehicle Switch Pack
- Enhanced Touchscreen Control
- Enhanced Electronic Interface Pack
- Magnetic Fold Back Doors
- Specialist Direct Access Tyre Carrier
- Special Paint Options
- Electronic High Visibility Panels
- Enhanced Security Lock
- Slam Handle Security Pack (TVL)
- Hook Lock Security Pack (TVL)
- Armourshell Security Pack (TVL)
- Chassis Cab Rear Camera
- Overload Protection System (Onboard Weighing)
- High Contrast Orange Seat Belts
- Enhanced Cabin & Cargo Lighting
- Ambulance Pack C
- Stealth Mode
- Mobile Workshop Pack (Service Line)
- Express Delivery Pack
- Front Seat Packs 11 & 12 (Delete Passenger Seat)

APPENDIX

TRANSIT

Available SVOs

 <p>Electrical & Power Supply Equipment</p> <ul style="list-style-type: none"> • Smart Tachograph 4.0 • Single H8 AGM Battery • Twin H7/H8 AGM Batteries • Auxiliary Fuse Relay Panel • Operator Command DPF Regeneration • Beacon Prep Pack (Wiring) • High Power Supply System • Ford Programmable Battery Guard • Towing Electrics • Utility Vehicle Switch Pack • Enhanced Touchscreen Control • Configurable Locking/Unlocking • Engine RPM Controller • Programmable 'CAN' Interface Module • Auxiliary Fuel Port • Enhanced Electronic Interface Pack 	 <p>Blue Light Conversion Options</p> <ul style="list-style-type: none"> • Ambulance Pack C • Stealth Mode
 <p>Exterior</p> <ul style="list-style-type: none"> • Magnetic Fold Back Doors • Specialist Direct Access Tyre Carrier • Special Paint Options • Electronic High Visibility Panels • Enhanced Security Lock • Slam Handle Security Pack (TVL) • Hook Lock Security Pack (TVL) • Armourshell Security Pack (TVL) 	 <p>Mobility/Wheelchair Accessible Vehicle Conversion Options</p> <ul style="list-style-type: none"> • People Carrier Glazed Prep Pack
 <p>Interior</p> <ul style="list-style-type: none"> • Overload Protection System (Onboard Weighing) • High Contrast Orange Seat Belts • Fuel Fired Heater 	 <p>Workshop Conversion Options</p> <ul style="list-style-type: none"> • Mobile Workshop Pack (Service Line) • Mobile Service Van
	 <p>Refrigerated Conversion Options</p> <ul style="list-style-type: none"> • Refrigeration Rear Air Conditioning Pack (For Transit) • Refrigeration Unit Prep Pack (For Transit Custom)
	 <p>Delivery Van Conversion Options</p> <ul style="list-style-type: none"> • Front Seat Packs 11 & 12 (Delete Passenger Seats) • Express Delivery Van Pack Premium
	 <p>Motorhome Conversion Options</p> <ul style="list-style-type: none"> • Front Swivel Seats (Seat Pack 49) • Camper Seats Less Fabric (SVO Seat Pack 6)



E-TRANSIT

Available SVOs



Electrical & Power Supply Equipment

- Smart Tachograph 4.0
- Transit Chassis Side Lamp Pack
- Single H8 AGM Battery
- Auxiliary Fuse Relay Panel
- Beacon Prep Pack (Wiring)
- Utility Vehicle Switch Pack
- Enhanced Touchscreen Control
- Enhanced Electronic Interface Pack



Exterior

- Magnetic Fold Back Doors
- Specialist Direct Access Tyre Carrier
- Special Paint Options
- Electronic High Visibility Panels
- Enhanced Security Lock
- Slam Handle Security Pack (TVL)
- Hook Lock Security Pack (TVL)
- Armourshell Security Pack (TVL)
- Chassis Cab Rear Camera



Interior

- Overload Protection System (Onboard Weighing)
- High Contrast Orange Seat Belts
- Enhanced Cabin and Cargo Lighting



Blue Light Conversion Options

- Ambulance Pack C
- Stealth Mode



Workshop Conversion Options

- Mobile Workshop Pack (Service Line)









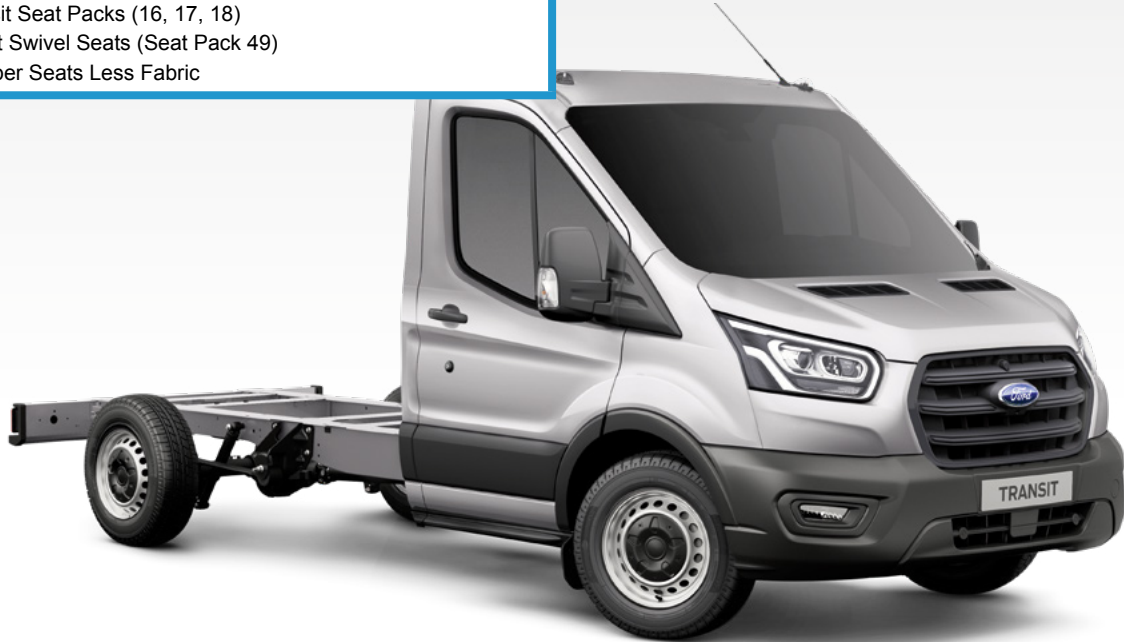

Delivery Van Conversion Options

- Express Delivery Pack
- Front Seat Packs 11 & 12 (Delete Passenger Seat)















TRANSIT CHASSIS CAB

Available SVOs

 <p>Electrical & Power Supply Equipment</p> <ul style="list-style-type: none"> • Smart Tachograph • Transit Chassis Side Lamp Pack • Single H8 AGM Battery • Twin H7/H8 AGM Batteries • Auxiliary Fuse Relay Panel • Operator Command DPF Regeneration • Beacon Prep Pack (Wiring) • High Power Supply System • Ford Programmable Battery Guard • Towing Electrics • Configurable Locking/Unlocking • Engine RPM Controller • Programmable CAN Interface • Auxiliary Fuel Port 	 <p>Blue Light Conversion Options</p> <ul style="list-style-type: none"> • Ambulance Pack C • Stealth Mode  <p>Delivery Van Conversion Options</p> <ul style="list-style-type: none"> • Front Seat Packs 11 & 12 • SWB Chassis Cab with Dual Rear Wheels • Double Chassis Cab Tarpaulin Conversion  <p>Utility Pack Conversion Options</p> <ul style="list-style-type: none"> • Double Cab Equipment Storage  <p>Motorhome Conversion Options</p> <ul style="list-style-type: none"> • Transit Seat Packs (16, 17, 18) • Front Swivel Seats (Seat Pack 49) • Camper Seats Less Fabric
 <p>Exterior</p> <ul style="list-style-type: none"> • Transit Skeletal Chassis Reverse Gear Buzzer • Closed Skeletal Chassis Cab • Transit Skeletal Chassis Rear Lights Pack • Enhanced Security Lock • Chassis Cab Rear Camera • Skeletal Chassis Black Alloy Wheels • Rear Tail Lift Prep Pack 	
 <p>Interior</p> <ul style="list-style-type: none"> • Overload Protection System • High Contrast Orange Seatbelts • Chassis Cab Cutaway • Fuel Fired Heater • Enhanced Cabin Lighting 	

TRANSIT CUSTOM

Available SVOs

 <p>Electrical & Power Supply Equipment</p> <ul style="list-style-type: none"> • Smart Tachograph 4.0 • Single H8 AGM Battery • Twin H7/H8 AGM Batteries • Auxiliary Fuse Relay Panel • Operator Command DPF Regeneration • Beacon Prep Pack (Wiring) • High Power Supply System • Ford Programmable Battery Guard • Towing Electrics • Utility Vehicle Switch Pack • Enhanced Touchscreen Control • Configurable Locking/Unlocking • Engine RPM Controller • Programmable 'CAN' Interface Module • Auxiliary Fuel Port • Enhanced Electronic Interface Pack 	 <p>Blue Light Conversion Options</p> <ul style="list-style-type: none"> • Police Brake Shields • Stealth Mode
 <p>Exterior</p> <ul style="list-style-type: none"> • Specialist Direct Access Tyre Carrier • Special Paint Options • Electronic High Visibility Panels • Enhanced Security Lock • Slam Handle Security Pack (TVL) • Hook Lock Security Pack (TVL) • Armourshell Security Pack (TVL) 	 <p>Workshop Conversion Options</p> <ul style="list-style-type: none"> • Mobile Workshop Pack (Service Line) • Conversion Prep Pack (Kombi)
 <p>Interior</p> <ul style="list-style-type: none"> • Sortimo™ Van Racking Pack • Overload Protection System (Onboard Weighing) • High Contrast Orange Seat Belts • Fuel Fired Heater (RHD) • Enhanced Cabin and Cargo Lighting 	 <p>Refrigerated Conversion Options</p> <ul style="list-style-type: none"> • Refrigeration Rear Air Conditioning Pack (For Transit Custom)
 <p>Exterior</p> <ul style="list-style-type: none"> • Specialist Direct Access Tyre Carrier • Special Paint Options • Electronic High Visibility Panels • Enhanced Security Lock • Slam Handle Security Pack (TVL) • Hook Lock Security Pack (TVL) • Armourshell Security Pack (TVL) 	 <p>Delivery Van Conversion Options</p> <ul style="list-style-type: none"> • Front Seat Packs 11 & 12 (Delete Passenger Seats) • Postal Van (Germany) • Partial Self-Colour Bumper
 <p>Exterior</p> <ul style="list-style-type: none"> • Specialist Direct Access Tyre Carrier • Special Paint Options • Electronic High Visibility Panels • Enhanced Security Lock • Slam Handle Security Pack (TVL) • Hook Lock Security Pack (TVL) • Armourshell Security Pack (TVL) 	 <p>Utility Pack Conversion Options</p> <ul style="list-style-type: none"> • Maintenance Van Pack
 <p>Exterior</p> <ul style="list-style-type: none"> • Specialist Direct Access Tyre Carrier • Special Paint Options • Electronic High Visibility Panels • Enhanced Security Lock • Slam Handle Security Pack (TVL) • Hook Lock Security Pack (TVL) • Armourshell Security Pack (TVL) 	 <p>Motorhome Conversion Options</p> <ul style="list-style-type: none"> • Front Swivel Seats (Seat Pack 49) • Camper Seats Less Fabric (SVO Seat Pack 6)



TOURNEO CUSTOM

Available SVOs



Electrical & Power Supply Equipment

- Smart Tachograph 4.0
- Twin H7/H8 AGM Batteries
- Auxiliary Fuse Relay Panel
- Operator Command DPF Regeneration
- Beacon Prep Pack (Wiring)
- High Power Supply System
- Ford Programmable Battery Guard
- Towing Electrics
- Engine RPM Controller
- Programmable 'CAN' Interface Module
- Auxiliary Fuel Port



Exterior

- Specialist Direct Access Tyre Carrier
- Enhanced Security Lock



Blue Light Conversion Options

- Police Brake Shields
- Stealth Mode



Taxi Conversion Options

- Taxi Specialist Pack



Motorhome Conversion Options

- MPV Camper (Euroline)
- Front Swivel Seats (Seat Pack 49)
- Tourneo Custom Camper Pack



TRANSIT CONNECT

Available SVOs



Exterior

- Special Paint Options



Interior

- Sortimo™ Van Racking Pack



Mobility / Wheelchair Accessible Vehicle Conversion Options

- WAV Adblue® Tank



TOURNEO CONNECT

Available SVOs



Mobility / Wheelchair Accessible Vehicle Conversion Options

- WAV / Taxi Conversion Pack
- WAV Adblue® Tank
- People Mover Pack (Connect)



TRANSIT COURIER

Available SVOs



Exterior

- Special Paint Options



FIESTA VAN

Available SVOs



Exterior

- Special Paint Options



GLOSSARY

GLOSSARY

Special Vehicle Options (SVO)	Ford-approved conversions and special equipment aimed at catering for the varied and specific Customer needs that may not be fully met by regular production vehicles
Body and Equipment Mounting Manual (BEMM)	A manual providing technical details for conversions and encouraging best practice. Any converters or bodybuilders you work with should be visited and introduced to the BEMM and should adhere to it when modifying or mounting bodies or equipment. For further details on any of the SVOs in this catalogue please refer to the Body and Equipment Mounting Manual (BEMM). To receive access to the BEMM, please contact BEMM2@ford.com
Converters and Bodybuilders	Suppliers whose area of expertise is vehicle conversion or the production of specific vehicle parts that might be requested as an SVO
Transit Chassis Cab	The Transit Chassis Cab consists of chassis cab, low frame rails, integral body mounting points and robust high tensile steel frame construction, providing a strong and reliable base for virtually any conversion
Transit Skeletal Chassis	Also known as a Stripped Chassis is a chassis cab that offers a chassis height 102mm lower than the conventional chassis cab and has a 200kg payload advantage over Transit Chassis Cab. The open-back cab allows unrestricted walk-through access from the cab to the load space of the converted vehicle
Factory-fitted	Fitted as standard when the vehicle is built – before it is converted
Enhanced Electronic Interface Pack	Also known as 'Blue Light Vehicle Wiring' , provides comprehensive connectivity to various electrical vehicle signals. The connector is located in the Instrument Panel behind the glove box
People Carrier Glazed Prep Pack	Also known as 'Glass Van Pack 4' , enables People Carrier / Wheelchair Accessible conversions
Operator Command DPF Regeneration	Also known as 'DPF Manual Regeneration' , a system is designed to clean diesel exhausts automatically when the engine reaches full operating temperature for a sustained period of time
Specialist Direct Access Carrier	Also known as 'Tyre Carrier Drop with Door Closed', allows the spare wheel to be removed from the cradle without opening the rear doors to access the release control

For further information please contact your key Ford representative.

